



**LEO EC**

S2 | S3

L2 | L3

XL2 | XL3

---

**WATER FAN HEATER**

MANUAL

## Table of contents

1.	Important information.....	26
2.	General information and purpose.....	27
3.	Technical data and general dimensions.....	28
3.1.	LEO S2 EC; LEO S3 EC.....	28
3.2.	LEO L2 EC; LEO L3 EC.....	29
3.3.	LEO XL2 EC; LEO XL3 EC.....	30
4.	Installation and air ranges.....	31
4.1.	Arrangement methods and recommended distances.....	31
4.2.	Air stream speed and ranges.....	32
4.2.1.	Isothermal ranges (LEO S2 EC – LEO XL3 EC).....	32
4.2.2.	Non-isothermal ranges (LEO S2 EC; LEO S3 EC; LEO L2 EC).....	33
4.2.3.	Non-isothermal ranges (LEO L3 EC; LEO XL2 EC; LEO XL3 EC).....	34
4.3.	Rotating console installation.....	35
4.4.	Ceiling holder installation.....	35
5.	Connecting the hydraulic system.....	36
5.1.	Hydraulic diagrams.....	36
5.1.1.	Two-way valve SRQ2D 1/2".....	36
5.1.2.	Two-way valve SRQ2D 3/4".....	36
5.1.3.	Three-way valve SRQ3D 1/2" supply installation.....	36
5.1.4.	Three-way valve SQR3D 3/4" supply installation.....	37
5.1.5.	Three-way valve SRQ3D 1/2" return installation.....	37
5.1.6.	Three-way valve SRQ3D 3/4" return installation.....	37
5.2.	Notes on hydraulic connections.....	38
5.3.	Heating medium parameters.....	39
5.4.	Heating power tables.....	39
6.	Electrical diagrams.....	41
6.1.	0-10V (EC) control diagram.....	41
6.2.	BMS (T-box) control diagram.....	41
6.2.6.	DRV module address set.....	42
6.2.7.	DRV modules junction.....	42
6.2.8.	BMS connection.....	43
7.	Start-up, operation and maintenance.....	44
7.1.	Start-up.....	44
7.2.	Operation.....	44
7.3.	Periodic inspections.....	44
8.	Conformity with WEEE directive 2012/19/UE.....	46
9.	Service and warranty terms.....	46
10.	Declaration of conformity.....	47

# 1. Important information

We have made every effort to make this manual as easy to understand as possible. However, if you have any difficulties, problems or questions, please contact FLOWAIR support at: [info@flowair.pl](mailto:info@flowair.pl).

Also visit our website [www.flowair.pl](http://www.flowair.pl) where you will find mounting tips.

In this manual you will find important safety information and tips marked as below:

## WARNING

Dangerous practices which may result in serious injury or death. Read all warnings before starting work.

## CAUTION

Unsafe practices which, if not avoided, may result in damage to property or minor injuries. Before starting work, read all cautions.

## ADVICE

Useful tips for the user and installer.

### IMPORTANT SAFETY INFORMATION:

## ADVICE

- Before installing, connecting, starting up, using and maintaining the device, please read this manual completely.
- After receiving the product, check that it has not been damaged during transport. If the product appears to be damaged, DO NOT START TO MOUNT THE DEVICE; instead, you must immediately report the damage to the delivery man.
- The device must be mounted in a stable way and in accordance with the instructions, in a place that can be easily accessed, thus ensuring the possibility of carrying out repairs and routine maintenance, as well as allowing easy and safe disassembly of the device.
- The stability and durability of installation of the device depends on the structure of the building (in particular walls and ceilings). The person performing the assembly should take these conditions into account when mounting the device.
- The technical documentation should be kept in a safe place, easily accessible to the user and service technician.
- Always test the operation of the device after installation.

## CAUTION

- The power connection shall be performed only by an authorized person.
- The device is not equipped with a thermostat that controls the room temperature. Do not use the device in small rooms where there are people who are not able to leave the premises alone. Above mentioned does not apply to rooms with constant supervision.
- The device requires periodic inspections in accordance with the instructions in this manual.
- Do not hang/put pressure on the device.
- Do not place any objects on the device or hang anything on the connection stubs.
- The product should be stored and assembled out of the reach of small children.
- **The device is dedicated to work indoors with a maximum air dustiness of 0.3 g/m<sup>3</sup>.**
- **Equipment cannot be used in an environment where oil mist is present.**
- This equipment may be used by children that are at least 8 years old, by persons with reduced physical and mental abilities and persons with no experience and knowledge of the equipment, on condition that the supervision or instruction regarding correct use of the equipment in a safe manner is provided and the possible threats are understood. The device cannot be used by children to play. Unattended children should not clean or maintain the equipment.

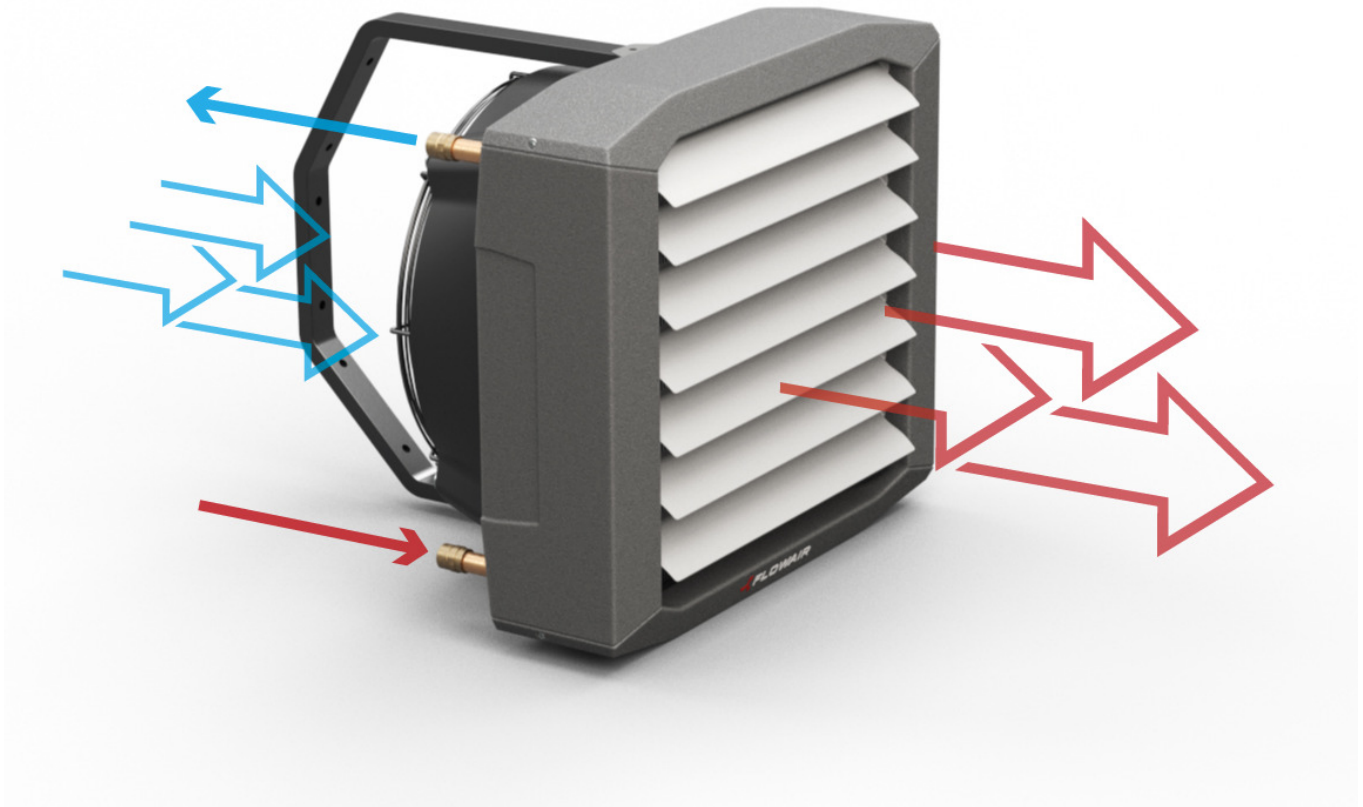
## WARNING

- The device is powered by dangerous voltage. Always disconnect the device from the power supply before servicing or accessing its internal components.
- Do not insert your fingers or any objects inside the device.
- Do not cover the device.

## 2. General information and purpose

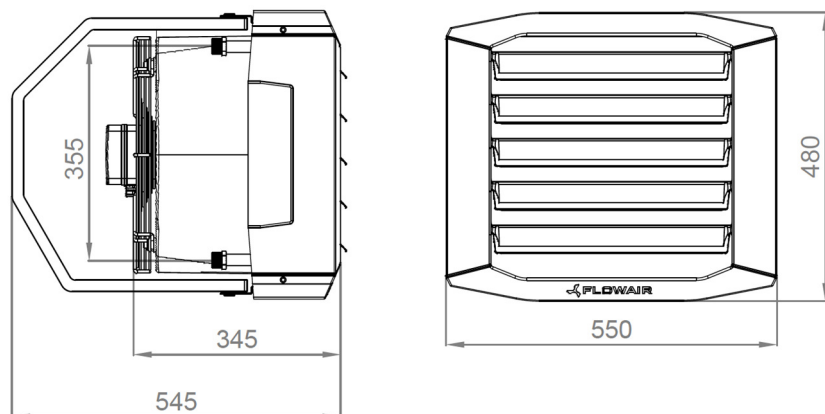
The LEO water heater is an executive element of a decentralized heating system for industrial buildings. Using the principle of forced convection, powered by a heating medium, it heats the ambient air through recirculation. Designed for heating facilities of various sizes.

Equipped with efficient and quiet EC fans from well-known manufacturers, they ensure user comfort and sustainable energy consumption.



### 3. Technical data and general dimensions

#### 3.1. LEO S2 EC; LEO S3 EC



Device	LEO S2 EC				LEO S3 EC			
	10	8	6	4	10	8	6	4
Airflow [m <sup>3</sup> /h]*	1650	1300	950	600	1500	1180	860	550
Heating power (70/50/15°C)	9,4	8,2	6,7	5,0	11,8	10,4	8,5	6,4
Outlet temperature [°C]	31,5	33,5	35,5	39,0	38,0	40,7	44,1	48,9
Heating power (45/35/15°C)	3,8	3,3	2,7	2,0	4,9	4,3	3,5	2,6
Outlet temperature [°C]	22,0	22,5	23,5	24,5	24,6	25,6	27,0	29,0
Supply [V/Hz]	230 V / 50							
Current consumption [A]	0,55	0,31	0,15	0,10	0,55	0,31	0,15	0,10
Power consumption [W]	60,0	41,0	22,0	10,0	60,0	41,0	22,0	10,0
IP	54							
Acoustic pressure level [dB(A)]**	54,0	46,8	40,7	32,1	54,0	46,8	40,7	32,1
Acoustic power level [dB(A)]***	71,0	63,8	57,7	49,1	71,0	63,8	57,7	49,1
Horizontal range [m] ****	22,5	18,0	13,0	8,5	20,5	16,0	11,5	7,5
Vertical range [m] *****	5,1	4,1	3,2	2,2	4,7	3,8	2,9	2,0
Max. water temperature [°C]	120							
Max. water pressure [MPa]	1,6							
Connection stub ["]	1/2							
Temperature working range [°C]*****	Od -30 do 60							
Device mass [kg]	8,3				8,7			
Water filled device mass [kg]	9,5				10,1			

\* Airflow measured according to **EN ISO 5801**

\*\* Acoustic pressure level for 3000m<sup>3</sup> space with a medium absorption coefficient, at a distance of 5m from the device

\*\*\* Acoustic power level according to **PN-EN ISO 3744:2011**

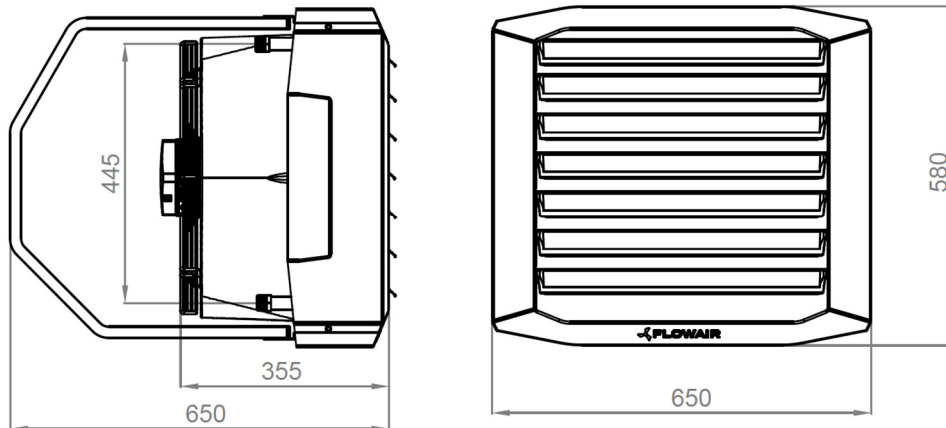
\*\*\*\* Isothermal horizontal range at 0,3m/s terminal speed

\*\*\*\*\* Non-isothermal vertical range for  $\Delta T = 5^{\circ}\text{C}$  at 0,3m/s terminal speed

**CAUTION**

\*\*\*\*\* **WARNING! When operating at temperature below 0°C, glycol solutions (up to 60%) must be used as a heating medium to protect the heat exchanger against freezing.**

### 3.2. LEO L2 EC; LEO L3 EC



Device	LEO L2 EC				LEO L3 EC			
	10	8	6	4	10	8	6	4
Gear	10	8	6	4	10	8	6	4
Airflow [m <sup>3</sup> /h]*	3000	2750	1850	950	2700	2300	1600	750
Heating power (70/50/15°C)	18,1	17,2	13,4	8,5	23,5	21,0	16,2	9,0
Outlet temperature [°C]	32,5	33,5	36,5	41,5	40,5	41,5	44,5	50,0
Heating power (45/35/15°C)	7,2	6,8	5,2	3,1	9,6	8,6	6,6	3,5
Outlet temperature [°C]	21,0	22,0	23,5	24,5	25,5	26,0	27,0	28,5
Supply [V/Hz]	230 V / 50							
Current consumption [A]	1,30	0,80	0,38	0,14	1,30	0,80	0,38	0,14
Power consumption [W]	170,0	113,0	56,0	21,0	170,0	113,0	56,0	21,0
IP	54							
Acoustic pressure level [dB(A)]**	56,0	53,1	45,7	36,2	56,0	53,1	45,7	36,2
Acoustic power level [dB(A)]***	73,0	70,1	62,7	53,2	73,0	70,1	62,7	53,2
Horizontal range [m]****	26,0	24,0	16,0	8,4	23,5	20,0	14,0	6,5
Vertical range [m]*****	5,8	5,4	3,8	2,2	5,3	4,6	3,4	1,8
Max. water temperature [°C]	120							
Max. water pressure [MPa]	1,6							
Connection stub ["]	3/4							
Temperature working range [°C]*****	Od -30 do 60							
Device mass [kg]	16,2				17,8			
Water filled device mass [kg]	18,2				20,5			

\* Airflow measured according to **EN ISO 5801**

\*\* Acoustic pressure level for 3000m<sup>3</sup> space with a medium absorption coefficient, at a distance of 5m from the device

\*\*\* Acoustic power level according to **PN-EN ISO 3744:2011**

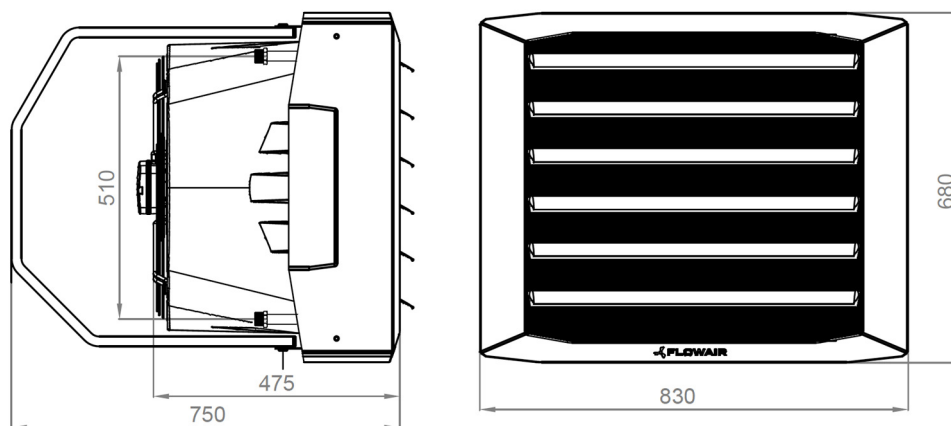
\*\*\*\* Isothermal horizontal range at 0,3m/s terminal speed

\*\*\*\*\* Non-isothermal vertical range for  $\Delta T = 5^{\circ}\text{C}$  at 0,3m/s terminal speed

**CAUTION**

\*\*\*\*\* **WARNING! When operating at temperature below 0°C, glycol solutions (up to 60%) must be used as a heating medium to protect the heat exchanger against freezing.**

### 3.3. LEO XL2 EC; LEO XL3 EC



Device	LEO XL2 EC				LEO XL3 EC			
	10	8	6	4	10	8	6	4
Gear	10	8	6	4	10	8	6	4
Airflow [m <sup>3</sup> /h]*	6300	5050	3600	2200	5800	4600	3200	1680
Heating power (70/50/15°C)	41,6	36,3	29,3	20,9	53,5	45,5	34,9	20,9
Outlet temperature [°C]	34,5	36,0	39,0	43,0	42,0	44,0	47,0	51,5
Heating power (45/35/15°C)	17,1	15,0	12,1	8,6	22,1	18,9	14,5	8,6
Outlet temperature [°C]	23,0	23,5	25,0	26,5	26,0	27,0	28,0	30,0
Supply [V/Hz]	230 V / 50							
Current consumption [A]	2,50	1,50	0,64	0,24	2,50	1,50	0,64	0,24
Power consumption [W]	580,0	346,0	140,0	45,0	580,0	346,0	140,0	45,0
IP	54							
Acoustic pressure level [dB(A)]**	66,0	58,5	51,9	38,6	66,0	58,5	51,9	38,6
Acoustic power level [dB(A)]***	83,0	75,5	68,9	55,6	83,0	75,5	68,9	55,6
Horizontal range [m] ****	35,0	28,0	20,0	12,0	32,0	25,0	12,5	9,5
Vertical range [m] *****	7,5	6,2	4,6	3,0	7,0	5,7	3,1	2,4
Max. water temperature [°C]	120							
Max. water pressure [MPa]	1,6							
Connection stub ["]	3/4							
Temperature working range [°C]*****	Od -30 do 60							
Device mass [kg]	23,2				26,2			
Water filled device mass [kg]	25,9				30,3			

\* Airflow measured according to **EN ISO 5801**

\*\* Acoustic pressure level for 3000m<sup>3</sup> space with a medium absorption coefficient, at a distance of 5m from the device

\*\*\* Acoustic power level according to **PN-EN ISO 3744:2011**

\*\*\*\* Isothermal horizontal range at 0,3m/s terminal speed

\*\*\*\*\* Non-isothermal vertical range for  $\Delta T = 5^{\circ}\text{C}$  at 0,3m/s terminal speed

**CAUTION**



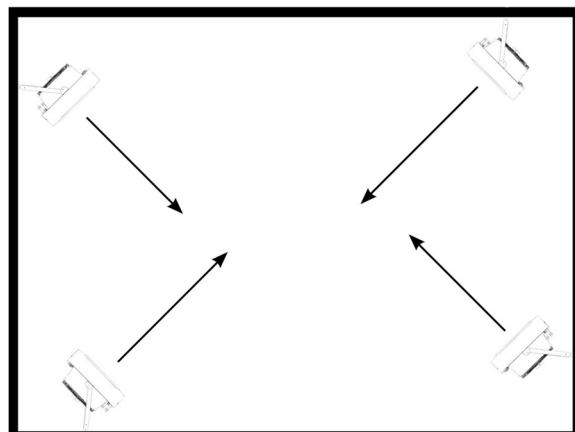
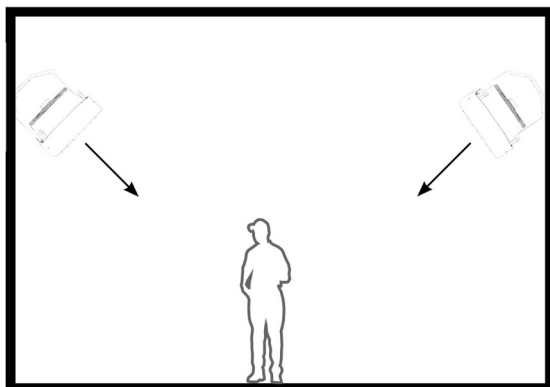
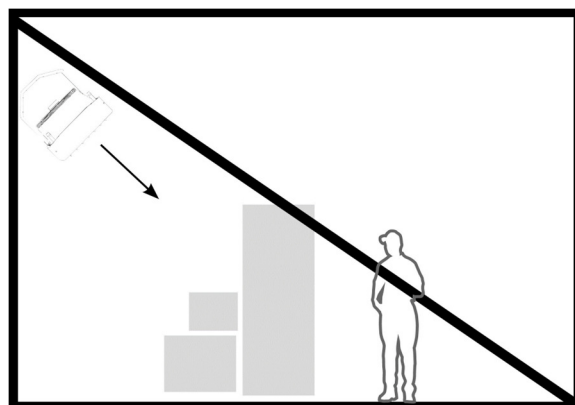
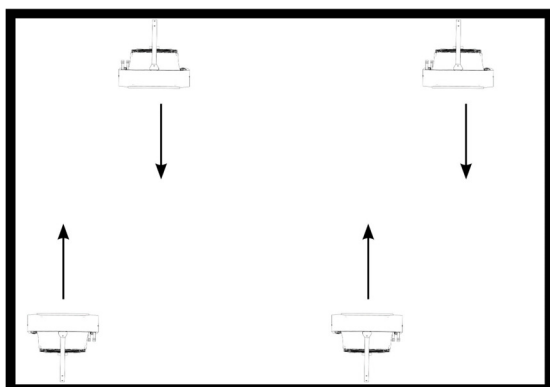
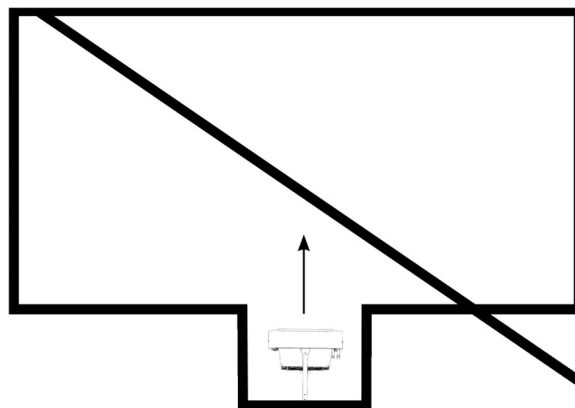
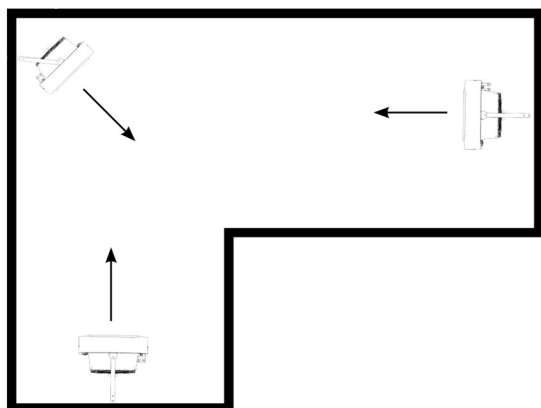
\*\*\*\*\* **WARNING! When operating at temperature below 0°C, glycol solutions (up to 60%) must be used as a heating medium to protect the heat exchanger against freezing.**

## 4. Installation and air ranges

### 4.1. Arrangement methods and recommended distances

Heaters can be mounted to vertical and horizontal partitions. During installation, maintain the recommended distances from the partitions presented below.

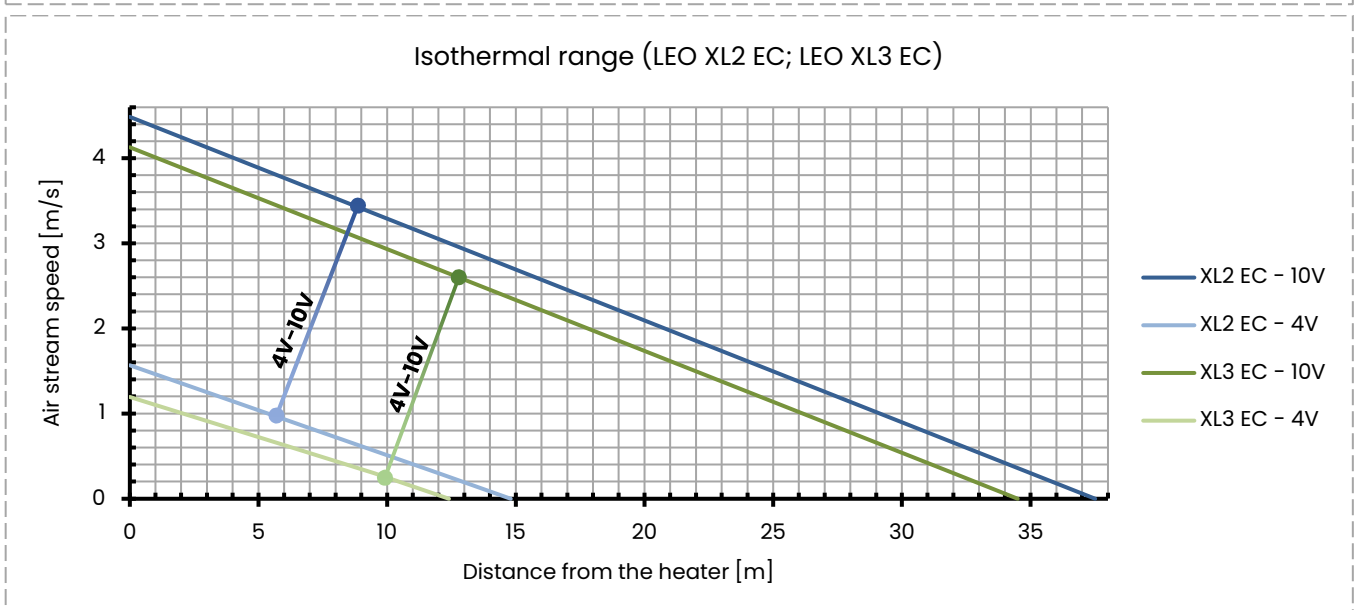
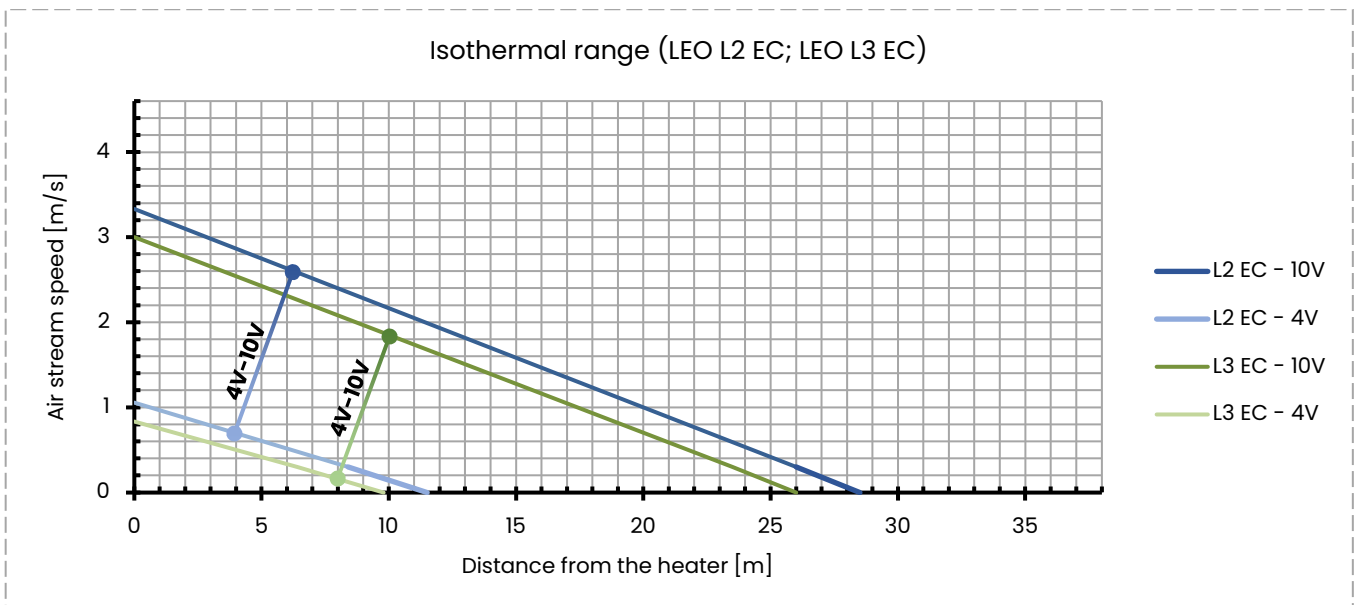
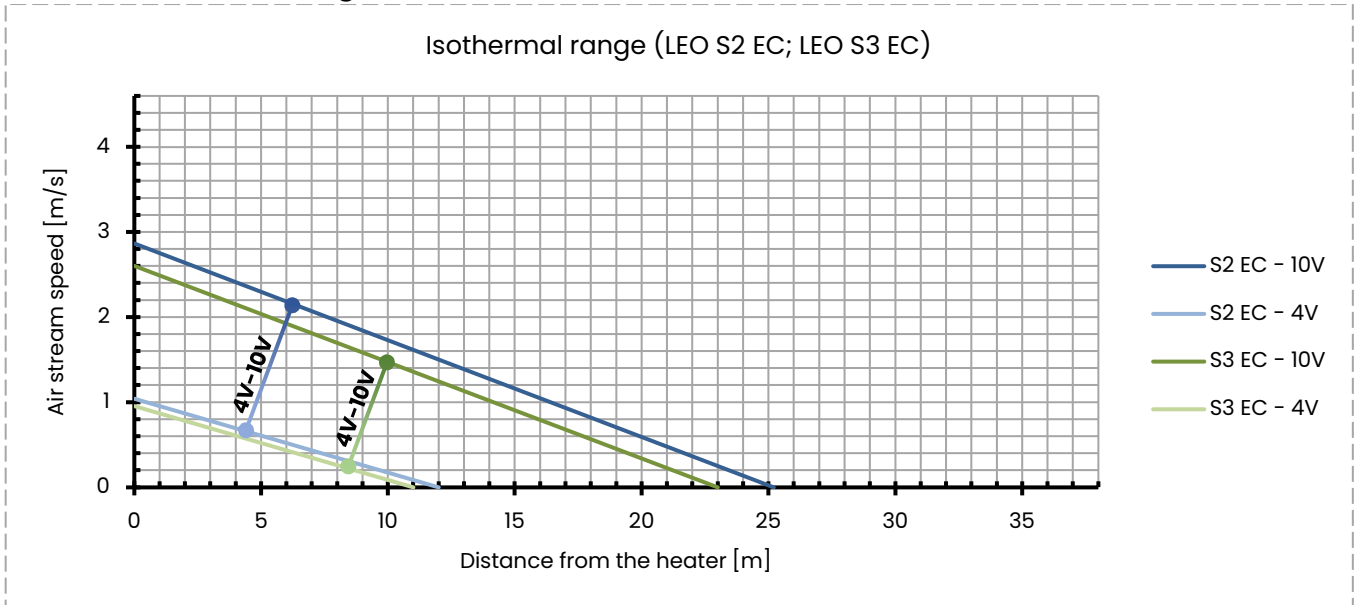
	LEO S2 EC; LEO S3 EC LEO L2 EC; LEO L3 EC LEO XL2 EC; LEO XL3 EC	
	A [m]	min. 3 (look at ranges)
	B [m]	min. 3 (look at ranges)
	C [m]	min. 0,3
D [m]	min. 0,1	



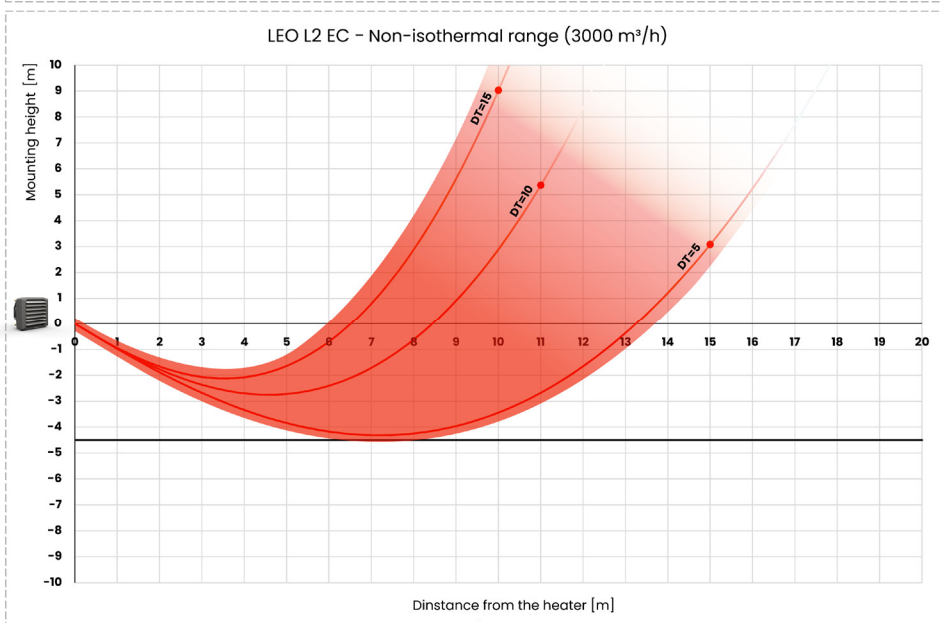
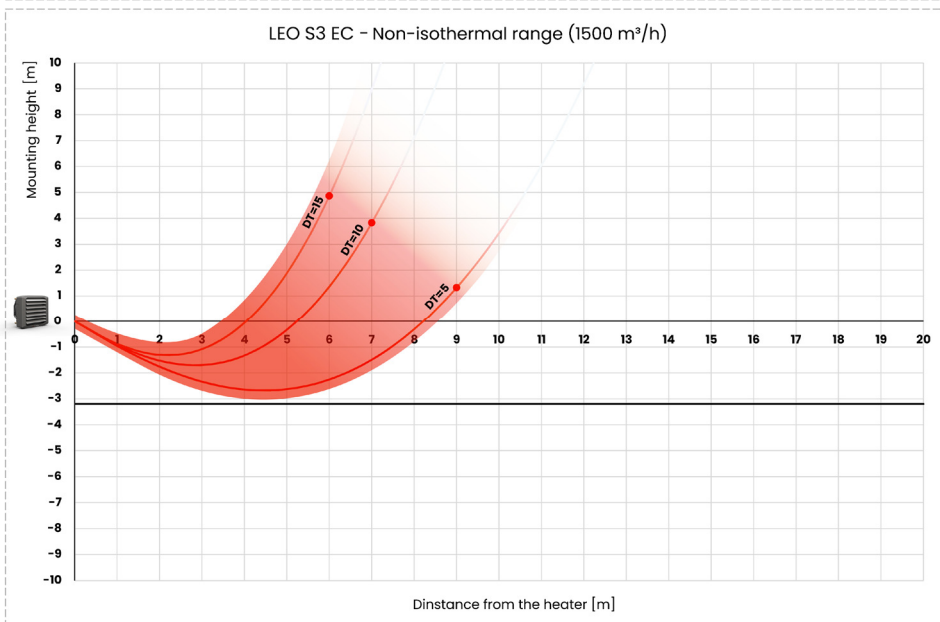
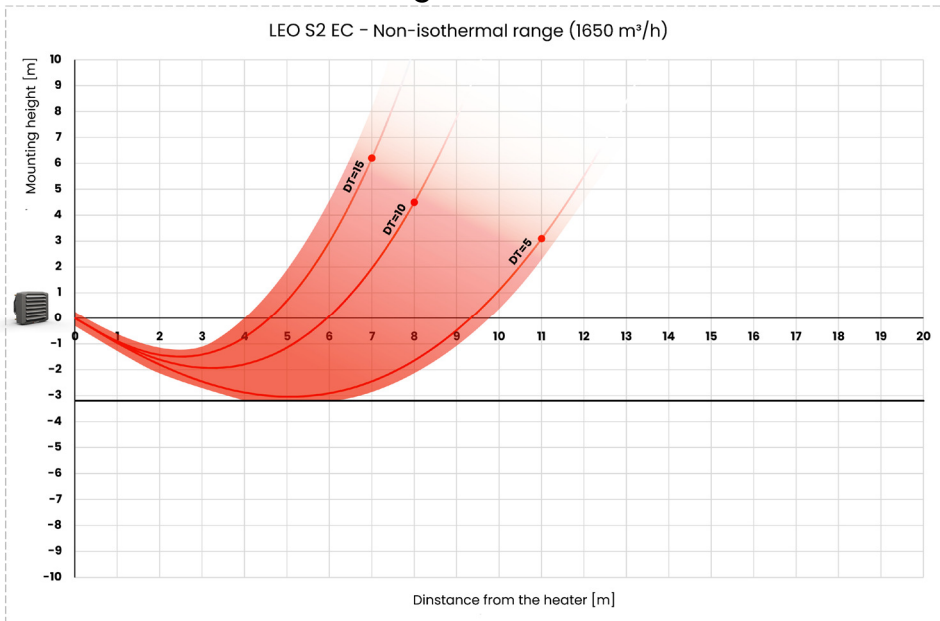


## 4.2. Air stream speed and ranges

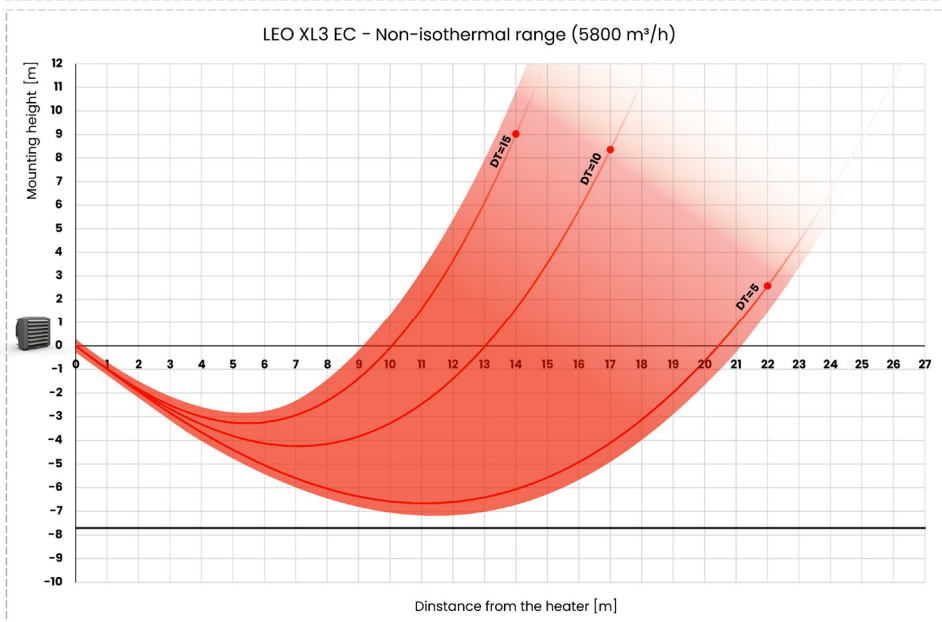
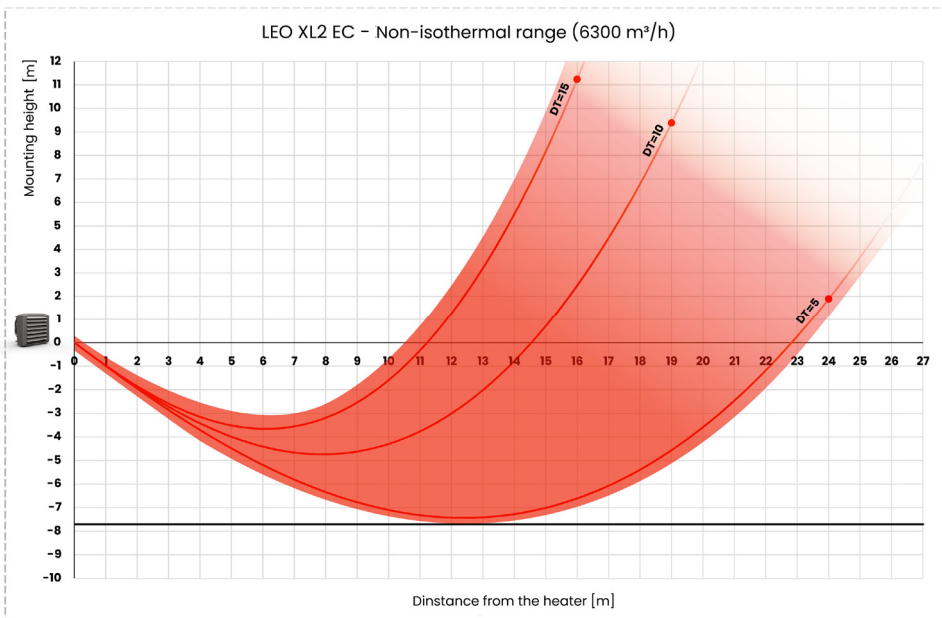
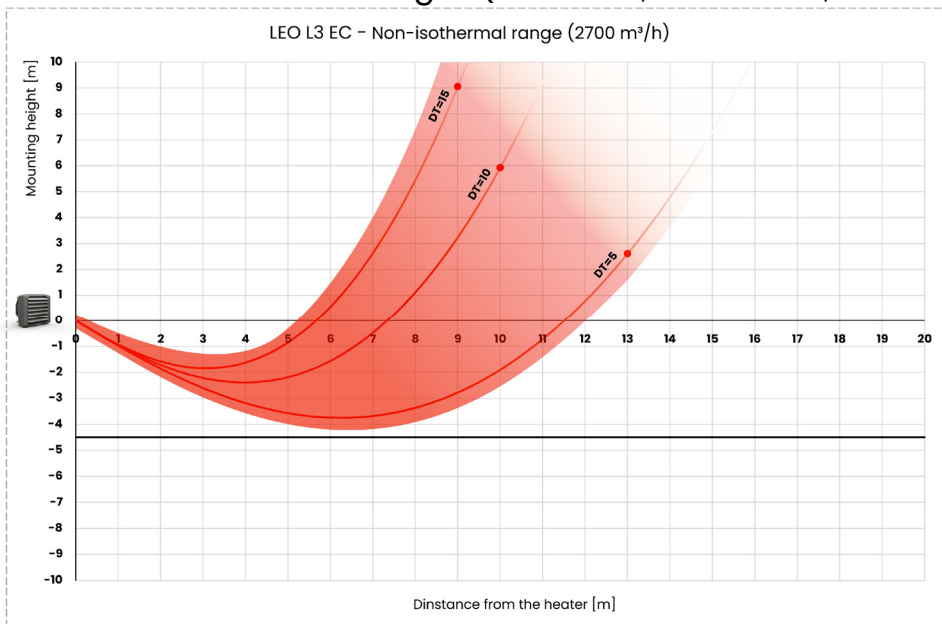
### 4.2.1. Isothermal ranges (LEO S2 EC – LEO XL3 EC)



## 4.2.2. Non-isothermal ranges (LEO S2 EC; LEO S3 EC; LEO L2 EC)

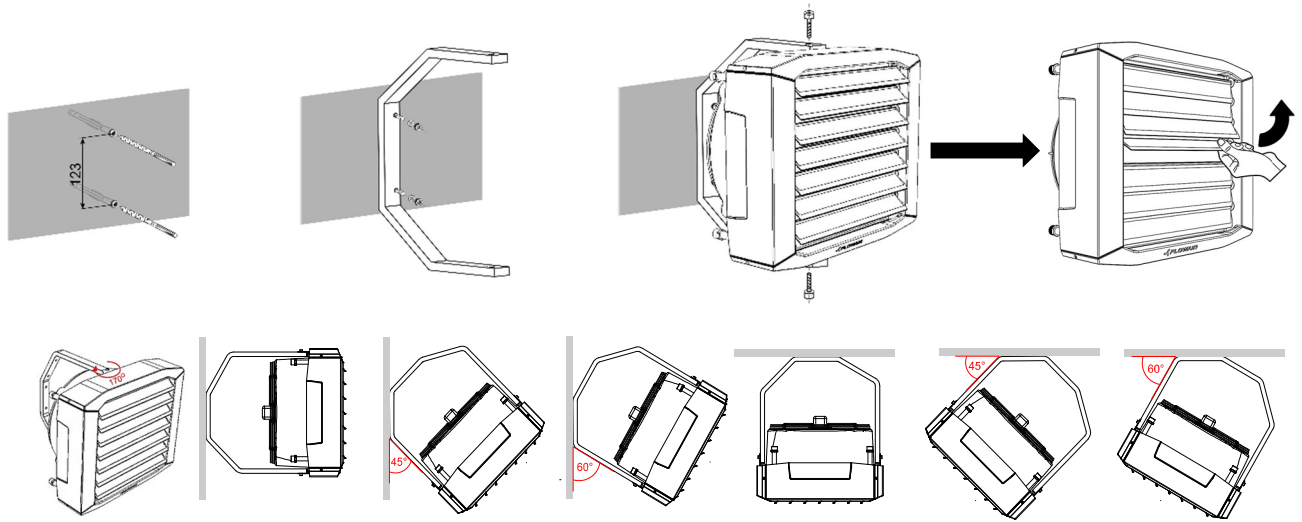


### 4.2.3. Non-isothermal ranges (LEO L3 EC; LEO XL2 EC; LEO XL3 EC)



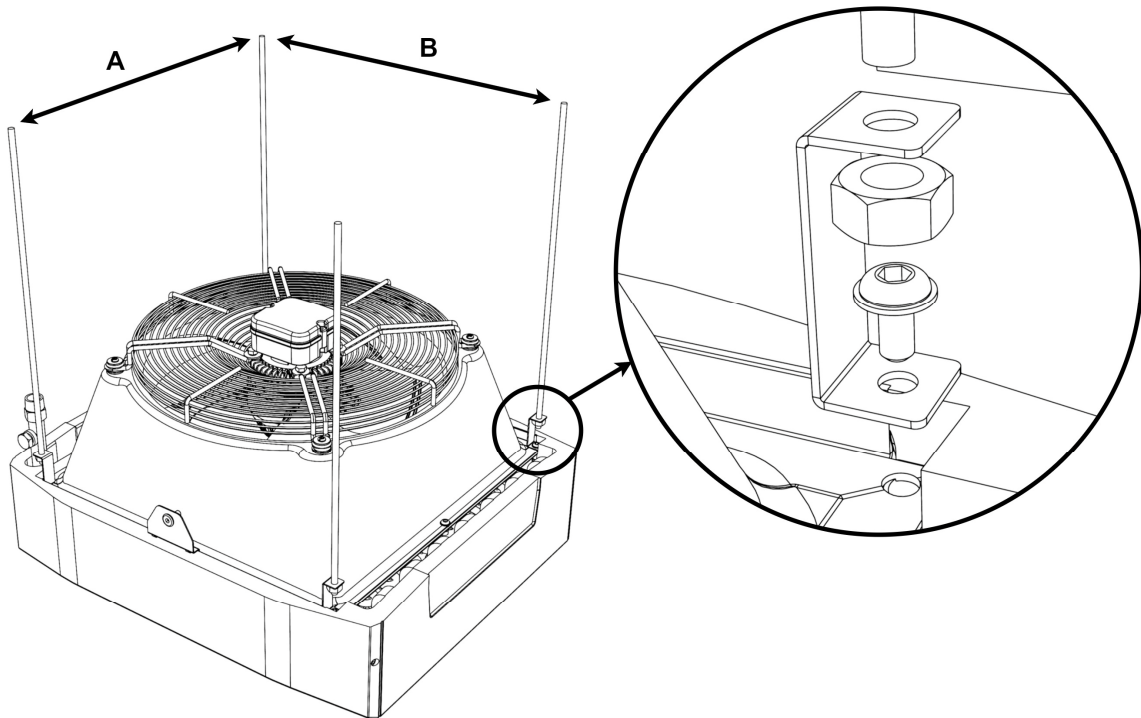
### 4.3. Rotating console installation

Mounting screws (M8x20) are supplied with the rotating console. Before installing the heater, they must be unscrewed. Remember to tilt the air blades to ensure proper air flow.



### 4.4. Ceiling holder installation


Ceiling holders are optional equipment. They should be installed at the corners of the heater. To do this, first remove the screws and then use them to screw in the ceiling holders. Installation in other places are not allowed.



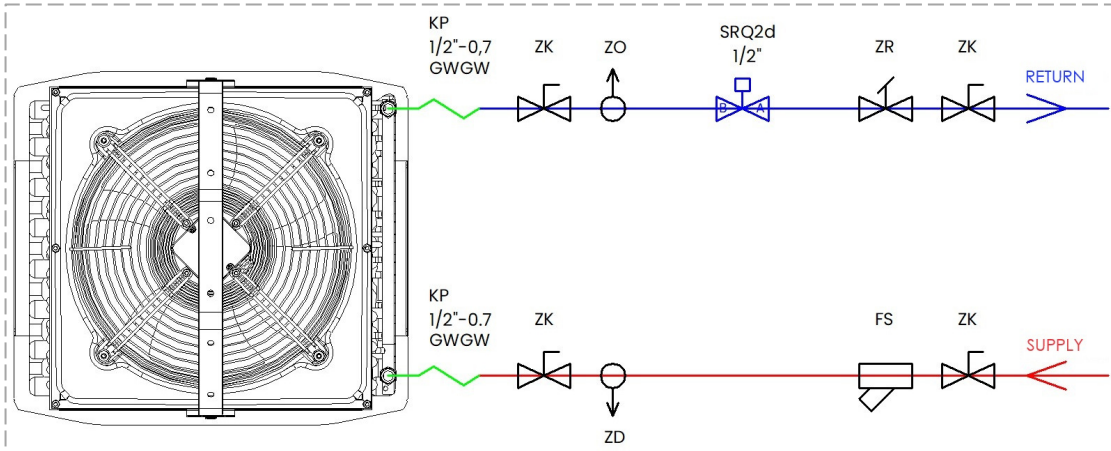
Device	A dimension [mm]	B dimension [mm]
LEO S2 EC, LEO S3 EC	414	414
LEO L2 EC, LEO L3 EC	516	516
LEO XL2 EC, LEO XL3 EC	585	667

## 5. Connecting the hydraulic system

### 5.1. Hydraulic diagrams

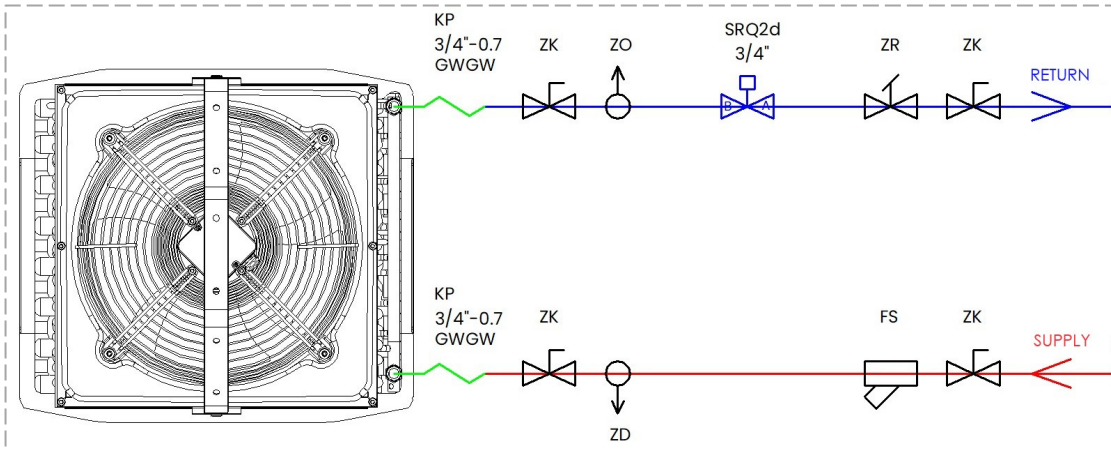
**WARNING**  The diagrams presented below are examples only. The installation designer decides on the final shape and the use of individual elements.

#### 5.1.1. Two-way valve SRQ2D 1/2"



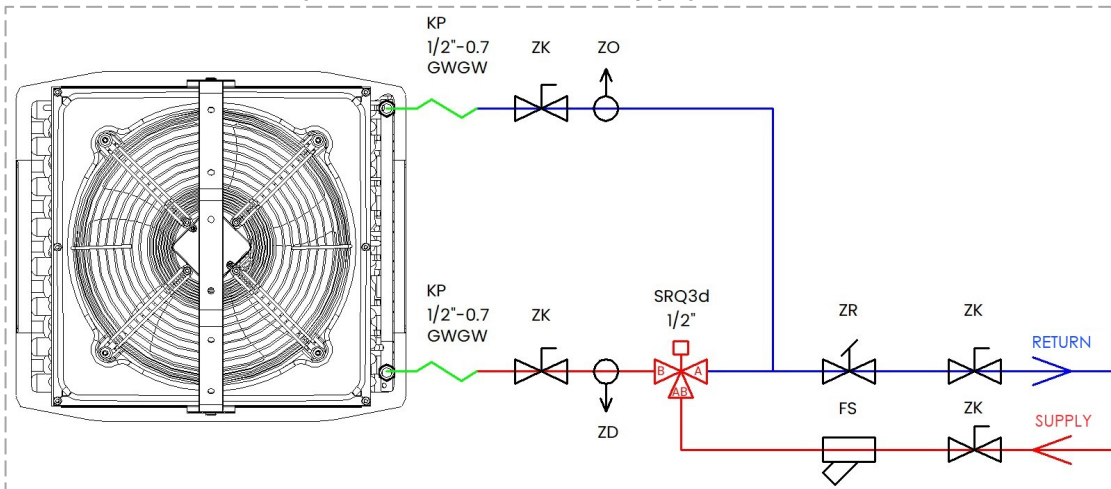
6. **ZK**–shut-off valve; **ZO**–vent valve; **ZD**–drain valve; **FS**–mesh filter; **ZR**–balancing valve;
7. **KP**–flexible metal hose; **SRQ2d**–two-way valve with on/off actuator

#### 5.1.2. Two-way valve SRQ2D 3/4"



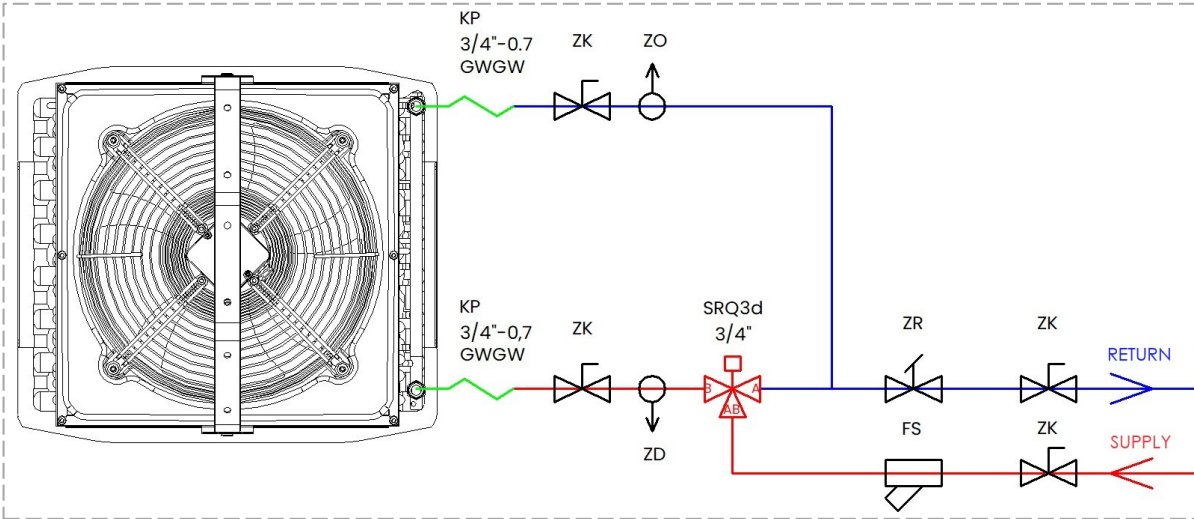
6. **ZK**–shut-off valve; **ZO**–vent valve; **ZD**–drain valve; **FS**–mesh filter; **ZR**–balancing valve;
7. **KP**–flexible metal hose; **SRQ2d**–two-way valve with on/off actuator

#### 5.1.3. Three-way valve SRQ3D 1/2" supply installation



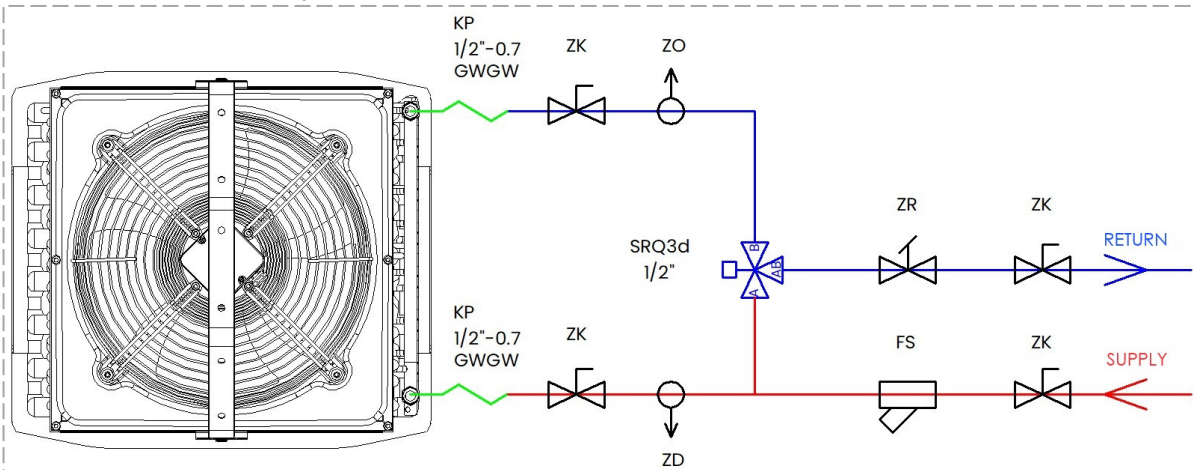
6. **ZK**–shut-off valve; **ZO**–vent valve; **ZD**–drain valve; **FS**–mesh filter; **ZR**–balancing valve;
7. **KP**–flexible metal hose; **SRQ3d**–two-way valve with on/off actuator

### 5.1.4. Three-way valve SRQ3D 3/4" supply installation



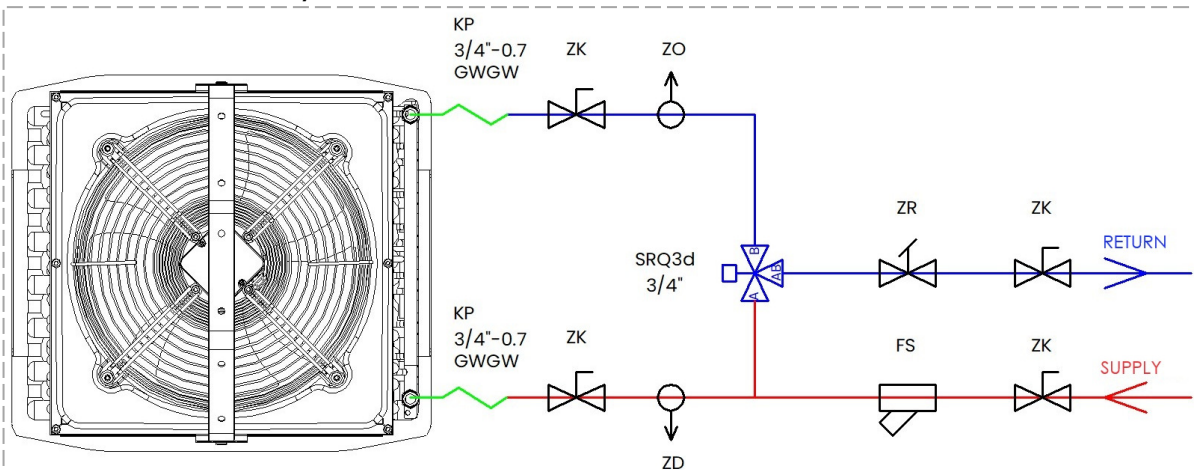
- 6. **ZK**–shut-off valve; **ZO**–vent valve; **ZD**–drain valve; **FS**–mesh filter; **ZR**–balancing valve;
- 7. **KP**–flexible metal hose; **SRQ3d**–two-way valve with on/off actuator

### 5.1.5. Three-way valve SRQ3D 1/2" return installation



- 6. **ZK**–shut-off valve; **ZO**–vent valve; **ZD**–drain valve; **FS**–mesh filter; **ZR**–balancing valve;
- 7. **KP**–flexible metal hose; **SRQ3d**–two-way valve with on/off actuator

### 5.1.6. Three-way valve SRQ3D 3/4" return installation



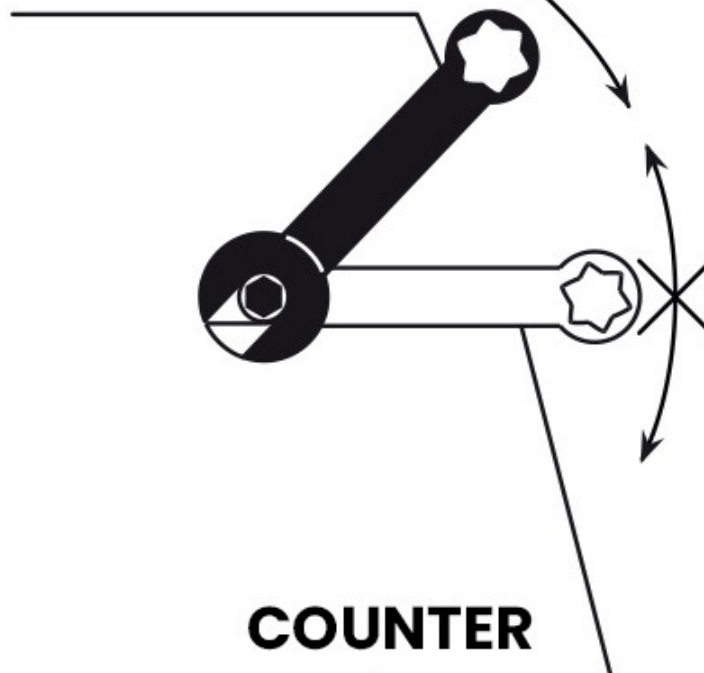
- ZK**–shut-off valve; **ZO**–vent valve; **ZD**–drain valve; **FS**–mesh filter; **ZR**–balancing valve;
- KP**–flexible metal hose; **SRQ3d**–two-way valve with on/off actuator

## 5.2. Notes on hydraulic connections

- Disconnect the heater power supply before connecting the water system.
- The connection should be made without stress. It is recommended to use flexible ducts supplying the heating medium.
- Water supply should be connected to the connector marked with red arrow.
- The installation with the heating medium must be protected against the increase of the heating medium pressure above the permissible value (1.6 MPa).
- Before starting the device, check the correct connection of the heating medium and the system for leaks.
- During assembly of the installation it is absolutely necessary to immobilize the exchanger's connector pipes.

**WARNING** 

**TIGHTEN**



**COUNTER**

- After filling the system with heating medium, check the tightness of the hydraulic connections.
- It is recommended to use bleeding/air release valves at the highest point of the installation.
- In the event that the water from the device is drained for a longer period of time, the exchanger tubes should be blown and dried with compressed air.
- Installation should be carried out in such a way that in the event of a failure it is possible to dismantle the device (use of flexible hoses is recommended). For this purpose, use shut-off valves next to the device.

**ADVICE** 

### 5.3. Heating medium parameters

- The water heat exchanger can be supplied with water or glycol solutions up to 60%.
- The heat exchanger tubes are made of copper, so heating medium should not cause corrosion of this material.
- In particular, the parameters as below should be provided:

**CAUTION** 

Parameter	Value
pH	7,5-9,0
Pollution	Free of sediments/particles
Total hardness	$[Ca^{2+}, Mg^{2+}]/[HCO_3^-] > 0.5$
Oil and grease	<1 mg/l
Oxygen	<0.1mg/l
HCO <sup>3-</sup>	60-300 mg/l
Ammonia	< 1.0 mg/l
Sulphides	< 0.05 mg/l
Chlorides, Cl	<100 mg/l

### 5.4. Heating power tables

		T <sub>w1</sub> /T <sub>w2</sub> = 40/30 [°C]					T <sub>w1</sub> /T <sub>w2</sub> = 70/50 [°C]					T <sub>w1</sub> /T <sub>w2</sub> = 55/45 [°C]				
	T <sub>p1</sub> [°C]	[V]	PT [kW]	T <sub>p2</sub> [°C]	Q <sub>w</sub> [l/h]	Δp <sub>w</sub> [kPa]	PT [kW]	T <sub>p2</sub> [°C]	Q <sub>w</sub> [l/h]	Δp <sub>w</sub> [kPa]	PT [kW]	T <sub>p2</sub> [°C]	Q <sub>w</sub> [l/h]	Δp <sub>w</sub> [kPa]		
<b>LEO S2 EC</b>	10	10	5,0	19,0	437	4,9	12,8	31,5	552	6,0	8,9	26,0	775	12,8		
		8	4,4	20,0	378	3,8	9,2	31,0	401	3,8	7,7	30,0	583	7,7		
		6	3,6	21,0	310	2,7	7,5	33,5	330	2,7	6,3	32,0	552	7,0		
		4	2,6	23,0	228	1,6	5,6	37,5	244	1,6	4,7	33,5	407	4,0		
	15	10	3,8	22,0	330	3,0	9,4	31,5	411	4,0	7,7	28,5	672	9,9		
		8	3,3	22,5	286	2,3	8,2	33,5	357	3,1	6,7	30,0	583	7,7		
		6	2,7	23,5	234	1,6	6,7	35,5	293	2,2	5,5	32,0	479	5,4		
		4	2,0	24,5	169	0,9	5,0	39,0	216	1,3	4,1	35,0	353	3,1		
	20	10	2,5	24,5	219	1,5	8,2	34,5	359	3,1	6,5	31,5	568	7,3		
		8	2,2	25,0	187	1,1	7,1	36,0	312	2,4	5,7	32,5	493	5,7		
		6	1,7	25,5	149	0,7	5,9	38,0	256	1,7	4,7	34,0	405	4,0		
		4	1,2	26,5	102	0,4	4,3	41,0	189	1,0	3,4	36,5	299	2,3		
<b>LEO S3 EC</b>	10	10	6,0	22,0	523	3,5	12,9	35,5	563	3,6	11,0	31,5	955	9,7		
		8	5,1	23,0	445	2,7	11,0	37,5	480	2,7	9,3	33,5	813	7,3		
		6	4,1	24,0	356	1,8	8,8	40,0	385	1,8	7,5	35,5	651	4,9		
		4	2,9	25,5	252	1,0	6,3	44,0	277	1,0	5,4	39,0	467	2,7		
	15	10	4,5	24,0	387	2,1	11,4	37,5	497	2,9	9,5	33,5	824	7,5		
		8	3,8	24,5	328	1,5	9,7	39,0	424	2,2	8,0	35,0	701	5,6		
		6	3,0	25,0	260	1,0	7,8	41,5	340	1,5	6,5	37,0	562	3,8		
		4	2,0	26,0	177	0,5	5,6	45,0	244	0,8	4,6	40,0	403	2,0		
	20	10	2,7	25,5	238	0,9	9,8	39,0	431	2,3	7,9	35,5	691	5,5		
		8	2,2	24,0	192	0,6	8,4	41,0	367	1,7	6,8	37,0	589	4,1		
		6	1,6	25,5	138	0,4	6,7	43,0	295	1,2	5,4	38,5	472	2,8		
		4	1,3	27,0	112	0,2	4,8	45,5	211	0,6	3,9	41,0	339	1,5		

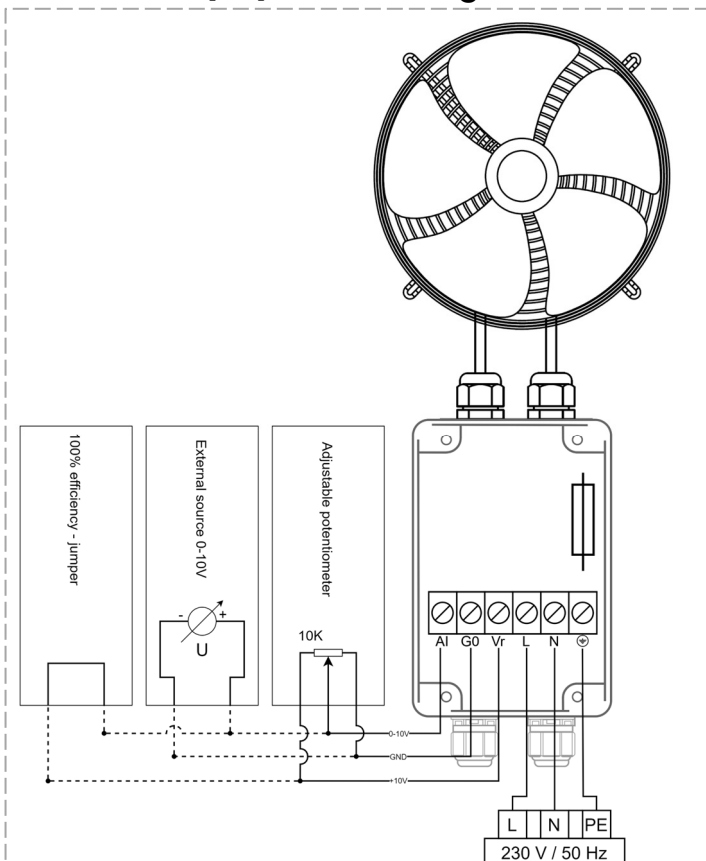


		Twi/Tw2 = 40/30 [°C]					Twi/Tw2 = 70/50 [°C]					Twi/Tw2 = 55/45 [°C]				
	Tpl [°C]	[V]	PT [kW]	Tp2 [°C]	Qw [l/h]	Δpw [kPa]	PT [kW]	Tp2 [°C]	Qw [l/h]	Δpw [kPa]	PT [kW]	Tp2 [°C]	Qw [l/h]	Δpw [kPa]		
LEO L2 EC	10	10	9,6	19,5	836	3,7	22,6	30,0	972	4,3	17,5	27,0	1521	10,2		
		8	9,1	20,0	793	3,4	19,5	32,0	852	3,5	16,6	27,5	1443	9,3		
		6	7,1	21,5	616	2,1	15,2	34,0	665	2,2	12,9	30,5	1124	5,9		
		4	4,4	24,0	385	0,9	9,6	40,0	422	1,0	8,2	35,5	712	2,6		
	15	10	7,2	21,0	621	2,2	18,1	32,5	794	3,0	15,1	29,5	1314	7,8		
		8	6,8	22,0	589	2,0	17,2	33,5	753	2,8	14,3	30,0	1247	7,1		
		6	5,2	23,5	455	1,3	13,4	36,5	588	1,8	11,2	32,5	972	4,5		
		4	3,1	24,5	272	0,5	8,5	41,5	373	0,8	7,1	37,0	616	2,0		
	20	10	4,5	22,0	390	1,0	15,8	35,5	689	2,4	12,7	32,5	1106	5,7		
		8	4,2	23,0	367	0,9	15,0	36,0	654	2,2	12,0	32,5	1050	5,2		
		6	3,0	24,5	261	0,5	11,7	38,5	511	1,4	9,4	35,0	819	3,3		
		4	1,9	26,0	166	0,2	7,4	42,5	323	0,6	6,0	38,0	519	1,5		
LEO L3 EC	10	10	12,6	23,5	1093	5,7	27,7	38,0	1194	6,5	22,1	34,0	1926	14,9		
		8	11,3	24,5	979	4,7	23,6	40,0	1034	4,7	19,8	35,5	1725	12,2		
		6	8,7	26,0	755	3,0	18,2	43,5	798	2,9	15,2	38,0	1328	7,6		
		4	4,8	28,5	413	1,0	10,1	49,5	441	1,0	8,4	43,0	731	2,6		
	15	10	9,6	25,5	831	3,5	23,5	40,5	1026	4,6	19,2	36,0	1672	11,5		
		8	8,6	26,0	744	2,9	21,0	41,5	920	3,8	17,2	37,0	1497	9,4		
		6	6,6	27,0	572	1,8	16,2	44,5	710	2,4	13,2	39,0	1154	5,9		
		4	3,5	28,5	304	0,6	9,0	50,0	392	0,8	7,3	43,5	636	2,0		
	20	10	6,4	27,0	557	1,7	20,5	42,0	897	3,6	16,2	37,5	1415	8,5		
		8	5,7	27,0	496	1,4	18,4	43,0	805	3,0	14,6	38,5	1268	7,0		
		6	4,3	28,0	373	0,9	14,2	46,0	622	1,9	11,2	40,5	978	4,4		
		4	2,3	29,0	199	0,3	7,8	50,5	343	0,7	6,2	44,0	540	1,5		

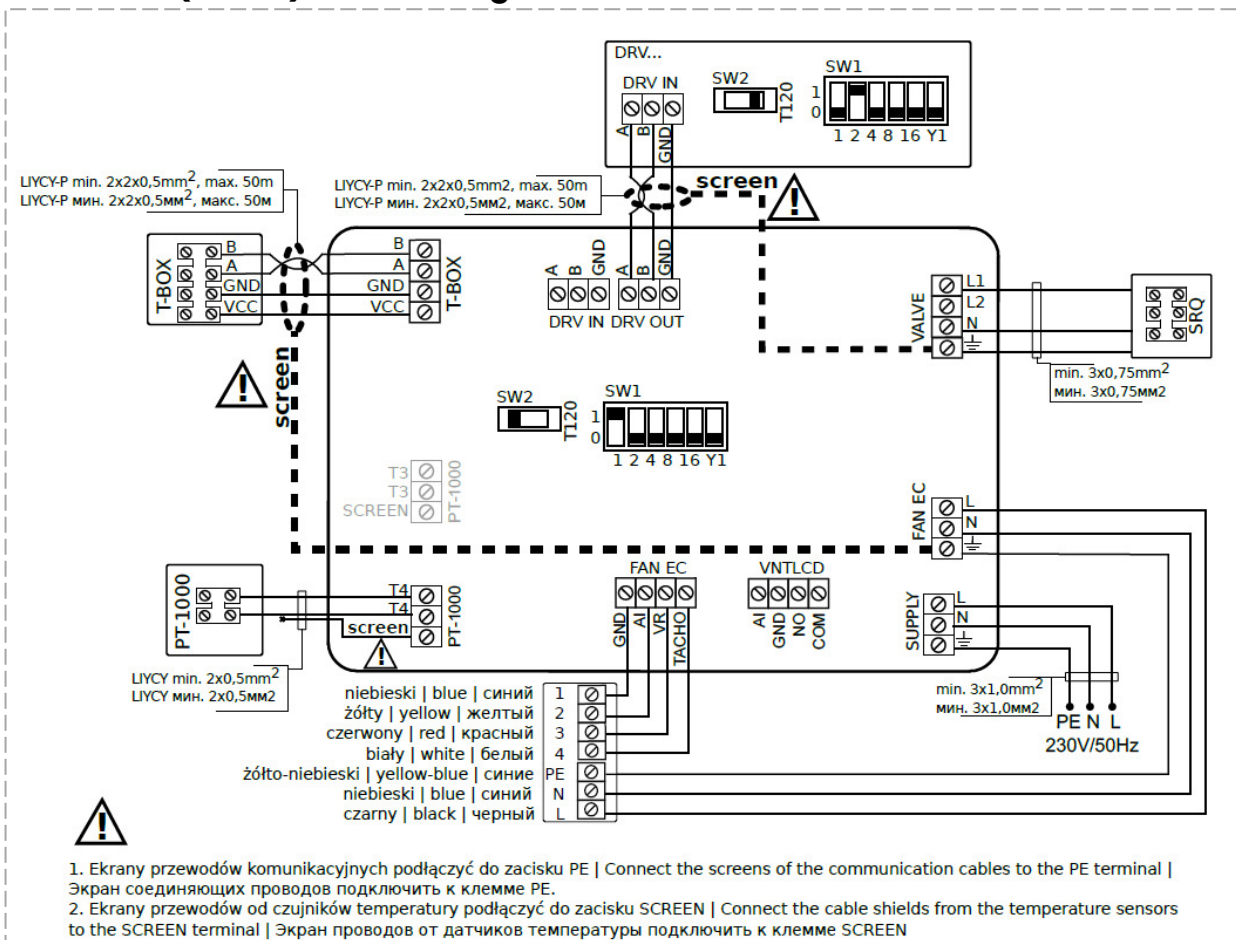
		Twi/Tw2 = 40/30 [°C]					Twi/Tw2 = 70/50 [°C]					Twi/Tw2 = 55/45 [°C]				
	Tpl [°C]	[V]	PT [kW]	Tp2 [°C]	Qw [l/h]	Δpw [kPa]	PT [kW]	Tp2 [°C]	Qw [l/h]	Δpw [kPa]	PT [kW]	Tp2 [°C]	Qw [l/h]	Δpw [kPa]		
LEO XL2 EC	10	10	22,4	20,5	1944	16,0	45,9	32,5	1980	16,0	39,3	28,5	3423	42,4		
		8	19,6	21,5	1699	12,5	40,9	34,0	1790	12,5	34,3	30,0	2987	33,0		
		6	15,8	23,0	1368	8,5	32,9	37,0	1440	8,5	27,6	32,5	2401	22,2		
		4	11,3	25,0	975	4,6	23,5	41,5	1030	4,6	19,6	36,0	1708	11,9		
	15	10	17,1	23,0	1483	9,8	41,6	34,5	1820	12,9	34,1	31,0	2969	32,7		
		8	15,0	23,5	1296	7,7	36,3	36,0	1590	10,1	29,7	32,0	2592	25,5		
		6	12,1	25,0	1044	5,2	29,3	39,0	1280	6,9	23,9	34,5	2085	17,1		
		4	8,6	26,5	744	2,9	20,9	43,0	920	3,7	17,0	37,5	1484	9,3		
	20	10	11,7	25,5	1011	4,9	36,3	37,0	1590	10,1	28,8	33,5	2512	24,1		
		8	10,2	26,0	883	3,9	31,8	38,5	1390	7,9	25,2	34,5	2195	18,8		
		6	8,2	26,5	710	2,6	25,6	40,5	1120	5,4	20,3	36,5	1766	12,7		
		4	5,8	27,5	501	1,4	18,3	44,0	800	2,9	14,4	39,0	1259	6,9		
LEO XL3 EC	10	10	28,9	24,5	2306	12,9	57,7	41,0	2484	11,3	50,2	35,5	4375	33,4		
		8	24,6	25,5	2133	9,6	51,1	42,5	2240	9,5	42,6	37,5	3716	24,8		
		6	18,9	27,5	1635	6,0	39,1	46,0	1710	5,9	32,6	40,0	2839	15,2		
		4	11,3	30,0	978	2,4	23,4	51,0	1030	2,3	19,4	44,0	1690	6,0		
	15	10	22,1	26,0	1920	8,0	53,5	42,0	2340	10,3	43,6	37,0	3799	25,8		
		8	18,9	27,0	1635	6,0	45,5	44,0	1990	7,7	37,0	38,5	3229	19,2		
		6	14,5	28,0	1254	3,7	34,9	47,0	1530	4,8	28,3	41,0	2468	11,8		
		4	8,6	30,0	749	1,5	20,9	51,5	920	1,9	16,9	44,5	1472	4,7		
	20	10	15,2	27,5	1318	4,1	46,8	43,5	2050	8,1	37,0	38,5	3221	19,1		
		8	13,0	28,0	1122	3,1	39,9	45,0	1750	6,1	31,4	40,0	2739	14,3		
		6	9,9	29,0	858	1,9	30,6	48,0	1340	3,8	24,1	42,0	2096	8,8		
		4	5,8	30,0	499	0,7	18,4	52,0	810	1,5	14,4	45,0	1252	3,5		

## 6. Electrical diagrams

### 6.1. 0-10V (EC) control diagram



### 6.2. BMS (T-box) control diagram



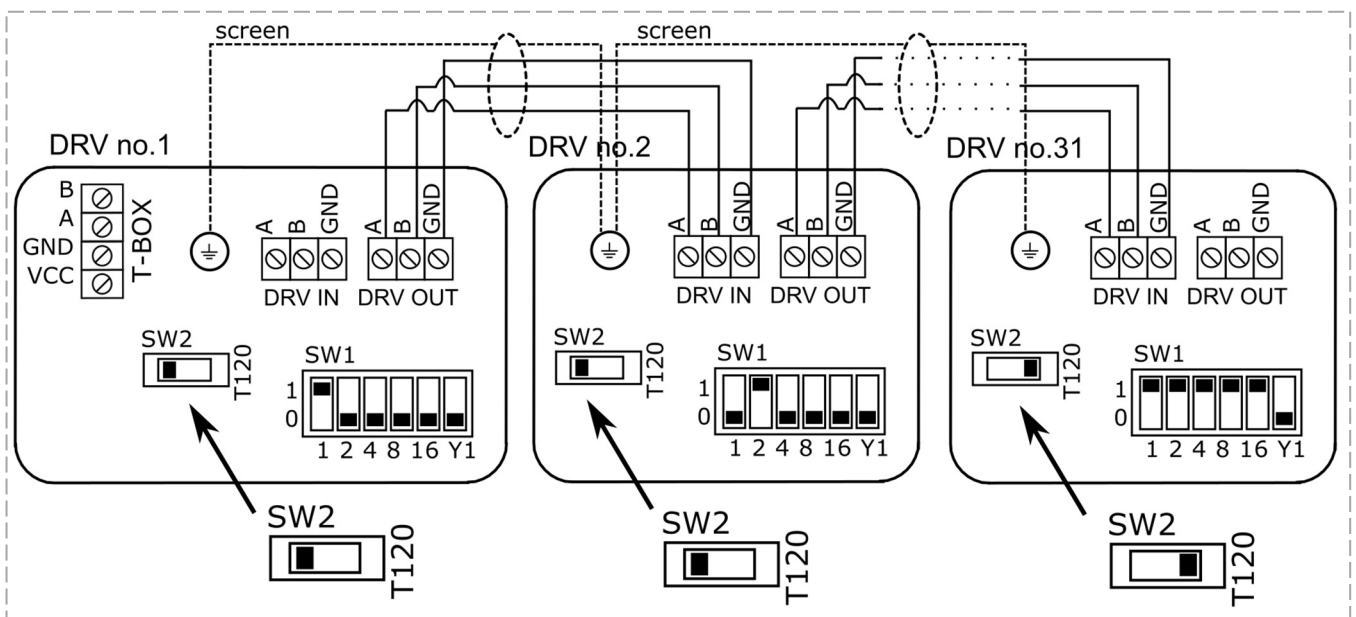
### 6.2.6. DRV module address set

It is necessary to set the binary address on DIP-switch SW1 when connecting DRV modules to the T-box controller or BMS system. Each DRV control module connected to the FLOWAIR SYSTEM must have assigned an individual address. To assign it, with the power off set the device address according to the table below. Next turn the power on.

DRV no.						
1	<input checked="" type="checkbox"/>	<input checked="" type="checkbox"/>	<input checked="" type="checkbox"/>	<input checked="" type="checkbox"/>	<input checked="" type="checkbox"/>	<input type="checkbox"/>
2	<input checked="" type="checkbox"/>	<input checked="" type="checkbox"/>	<input checked="" type="checkbox"/>	<input checked="" type="checkbox"/>	<input checked="" type="checkbox"/>	<input type="checkbox"/>
3	<input checked="" type="checkbox"/>	<input checked="" type="checkbox"/>	<input checked="" type="checkbox"/>	<input checked="" type="checkbox"/>	<input checked="" type="checkbox"/>	<input type="checkbox"/>
...						
31	<input checked="" type="checkbox"/>	<input checked="" type="checkbox"/>	<input checked="" type="checkbox"/>	<input checked="" type="checkbox"/>	<input checked="" type="checkbox"/>	<input type="checkbox"/>
	1	2	3	4	5	6
	1	2	4	8	16	Y1

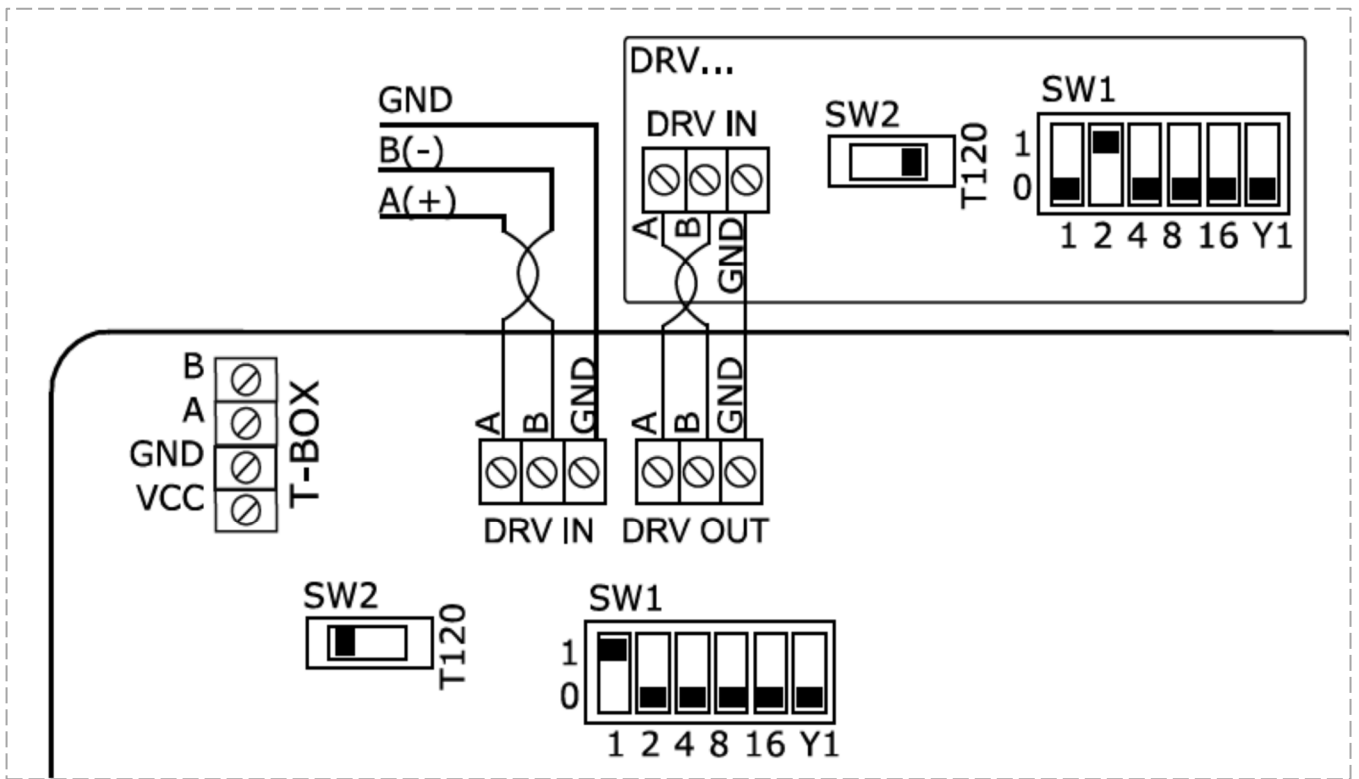
### 6.2.7. DRV modules junction

It is possible to connect up to 31 DRV modules. This allows you to operate up to 31 devices compatible with the FLOWAIR SYSTEM using one T-box controller. The connection diagram for multiple DRV modules is shown below.



### 6.2.8. BMS connection

The DRV module allows you to connect the system to the BMS (Building Management System). The connection should be made with a three-wire cable (UTP twisted pair recommended) to the DRV IN connectors (diagram below).



## 7. Start-up, operation and maintenance

### 7.1. Start-up



- Before connecting the power supply check the correctness of connection of the fan motor and the controllers. These connections should be executed in accordance with their technical documentation.
- Before connecting the power supply check whether the mains voltage is in accordance with the voltage on the device data plate.
- Before starting the device check the correctness of connection of the heating medium conduits and the tightness of the system.
- The electrical system supplying the fan motor should be additionally protected with a circuit breaker against the effects of a possible short-circuit in the system.
- Starting the device without connecting the ground conductor is forbidden.

### 7.2. Operation

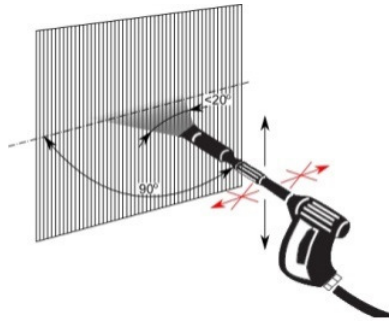


- The device is designed for operation inside buildings, at temperatures above 0°C. In low temperatures (below 0°C) there is a danger of freezing of the medium.
- **The manufacturer bears no responsibility for damage of the heat exchanger resulting from freezing of the medium in the exchanger. If operation of the device is expected at temperatures lower than 0°, then glycol solution should be used as the heating medium, or special automatic systems should be used for protecting against freezing of the medium in the exchanger.**
- It is forbidden to place any objects on the heater or to hang any objects on the connecting stubs.
- The device must be inspected periodically. In the case of incorrect operation of the device it should be switched off immediately.
- **It is forbidden to use a damaged device. The manufacturer bears no responsibility for damage resulting from the use of a damaged device.**
- If it is necessary to clean the exchanger, be careful not to damage the aluminum lamellas.
- For the time of performing inspection or cleaning the device, the electrical power supply should be disconnected.
- In case water is drained from the device for a longer period of time, the exchanger tubes should be emptied with compressed air.
- It is not allowed to make any modification in the unit. Any modification causes in warranty loss.

### 7.3. Periodic inspections



- To keep proper technical parameters Flowair recommends periodic service (every 6 months) of fan heaters on behalf of the user.
- Check heat exchanger, if it is filled with dirt or dust. If necessary - use pressurized air stream to clean the exchanger's lamellas,



- Check heat exchanger, if it is filled with dirt or dust. If necessary - use pressurized air stream to clean the exchanger's lamellas,
- Check fan blades, in case of dirt use damp cloth and remove dirt,
- Check bracket installation,
- Check heat exchanger and hydraulic connection correctness,
- Check wires insulation,
- Check power supply,
- Check medium flow,
- Check levelling of the unit.

## 8. Conformity with WEEE directive 2012/19/UE

Running a business without harming the environment and observing the rules of proper handling of waste electrical and electronic equipment is a priority for FLOWAIR.

The symbol of the crossed out wheeled bin placed on the equipment, packaging or documents attached means that the product must not be disposed of with other wastes.

It is the responsibility of the user to hand the used equipment to a designated collection point for proper processing. The symbol means that the equipment was placed on the market after August 13, 2005.



**For information regarding recycling of waste electrical and electronic equipment, please contact your local distributor.**

### REMEMBER:

Do not dispose of used equipment together with other waste! There are financial penalties for this. Proper handling of used equipment prevents potential negative consequences for the environment and human health. At the same time, we save the Earth's natural resources, reusing resources obtained from the processing of equipment.

## 9. Service and warranty terms

**Please contact your dealer in order to get familiar with the warranty terms and its limitation.**

In the case of any irregularities in the device operation, please contact the manufacturer's service department.

**The manufacturer bears no responsibility for operating the device in a manner inconsistent with its purpose, by persons not authorized for this, and for damage resulting from this!**

**Made in Poland**

**Made in EU**

**Manufacturer: FLOWAIR GŁOGOWSKI I BRZEZIŃSKI SP. z O.O.**

ul. Chwaszczyńska 135, 81-571 Gdynia

tel. +48 58 669 82 20, fax: +48 58 627 57 21

e-mail: [info@flowair.pl](mailto:info@flowair.pl)

[www.flowair.com](http://www.flowair.com)

## 10. Declaration of conformity

④ **FLOWAIR SP. Z O.O.**

Chwaszczyńska 135, 81-571 Gdynia

e-mail: [info@flowair.pl](mailto:info@flowair.pl) [www.flowair.com](http://www.flowair.com)



① Water heaters

② LEO EC

③ 29.01.2024



<b>DECLARATION OF CONFORMITY UE</b>	<b>EN</b>
-------------------------------------	-----------

④ FLOWAIR hereby confirms that fan heaters:

- ② LEO S2 EC, LEO S3 EC
- LEO L2 EC, LEO L3 EC,
- LEO XL2 EC, LEO XL3 EC

⑤ were produced in accordance to the following Europeans Directives:

4. **2014/30/UE** Electromagnetic Compatibility (EMC)
5. **2006/42/WE** Machinery
6. **2014/35/UE** Low Voltage Electrical Equipment (LVD)

⑥ and harmonized norms, with above directives:

- PN-EN ISO 12100:2012** Safety Of Machinery - General Principles For Design - Risk Assessment And Risk Reduction
- PN-EN 60335-1:2012** Household and similar electrical appliances - Safety - Part 1: General requirements
- PN-EN 60335-2-30:2010** Household and similar electrical appliances - Safety - Part 2-30: Particular requirements for room heaters
- PN-EN 61000-6-2:2008** Electromagnetic compatibility (EMC). Generic standards. Immunity for industrial environments

③ 29.01.2024

⑦ Mateusz Piasecki  
Product Manager



