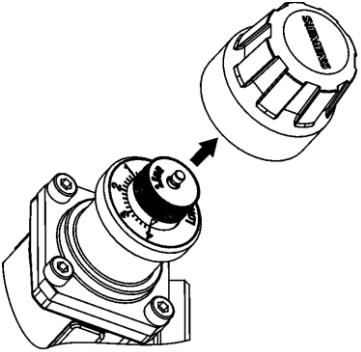
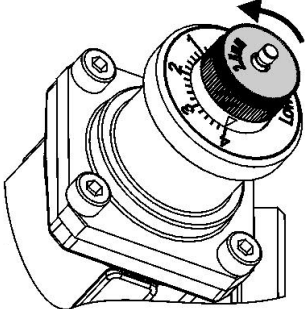
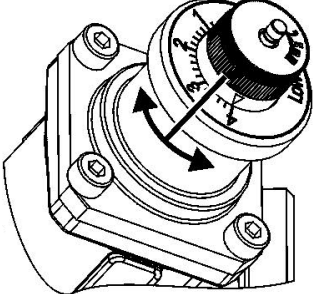


### SRX2d (0-10 V) mounting instruction

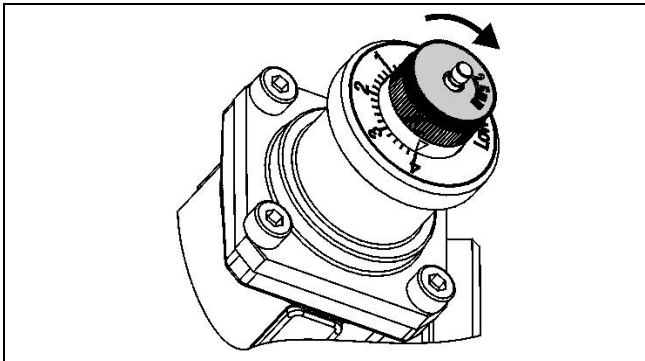
	<p>Take off the manual control knob from the valve.</p>
	<p>Loosen the knurled nut.</p>
	<p>Select the appropriate setting on the dial with the white knob (according to the table for the appropriate valve diameter).</p>

SRX2d 3/4" (DN 20):

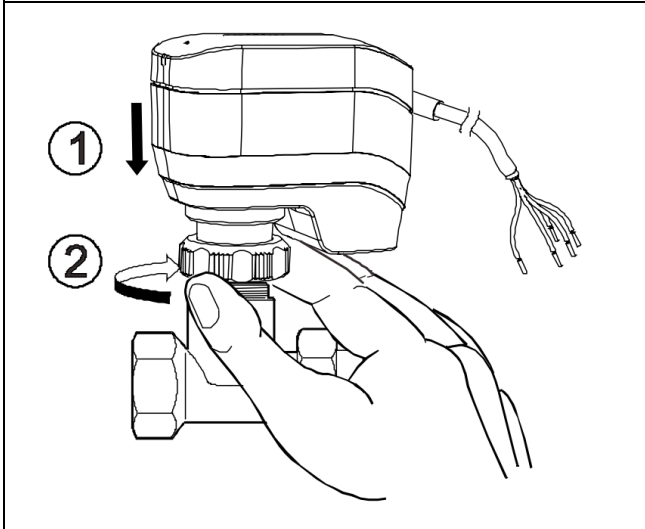
$\dot{v}$ [l/h]					220	290	350	420	480	550	610	680	740	810	870	940	1000	1070	1130	1200	1260	1330
Skala	Min.	0.2	0.4	0.5	0.6	0.8	1	1.2	1.4	1.6	1.8	2	2.2	2.4	2.6	2.8	3	3.2	3.4	3.6	3.8	Maks.
$\Delta p_{min}$ [kPa]					16	16.5	17	17.5	17.9	18.4	18.8	19.2	19.5	19.9	20.2	20.4	20.7	20.9	21.1	21.3	21.4	21.6

SRX2d 1 1/4" (DN 32):

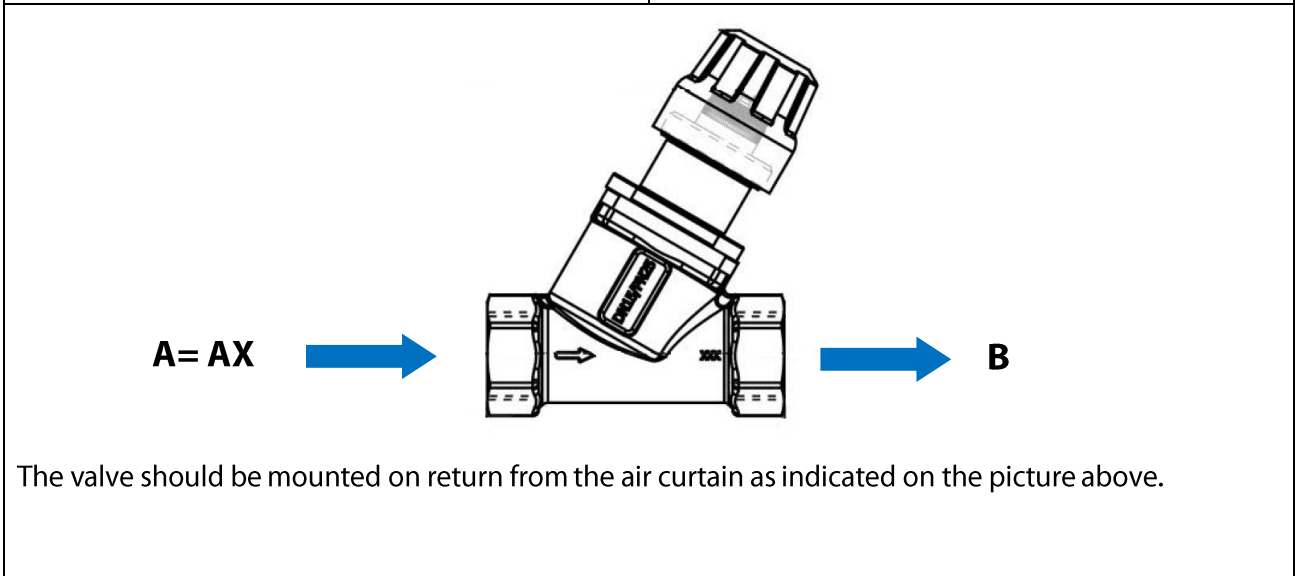
$\dot{v}$ [l/h]					550	800	910	1110	1320	1520	1720	1930	2130	2330	2530	2740	2940	3140	3350	3550	3750	4001
Skala	Min.	0.2	0.4	0.5	0.6	0.8	1	1.2	1.4	1.6	1.8	2	2.2	2.4	2.6	2.8	3	3.2	3.4	3.6	3.8	Maks.
$\Delta p_{min}$ [kPa]					17.9	18	18.1	18.2	18.3	18.5	18.7	18.9	19.2	19.6	20.1	20.7	21.4	22.3	23.4	24.6	26	28



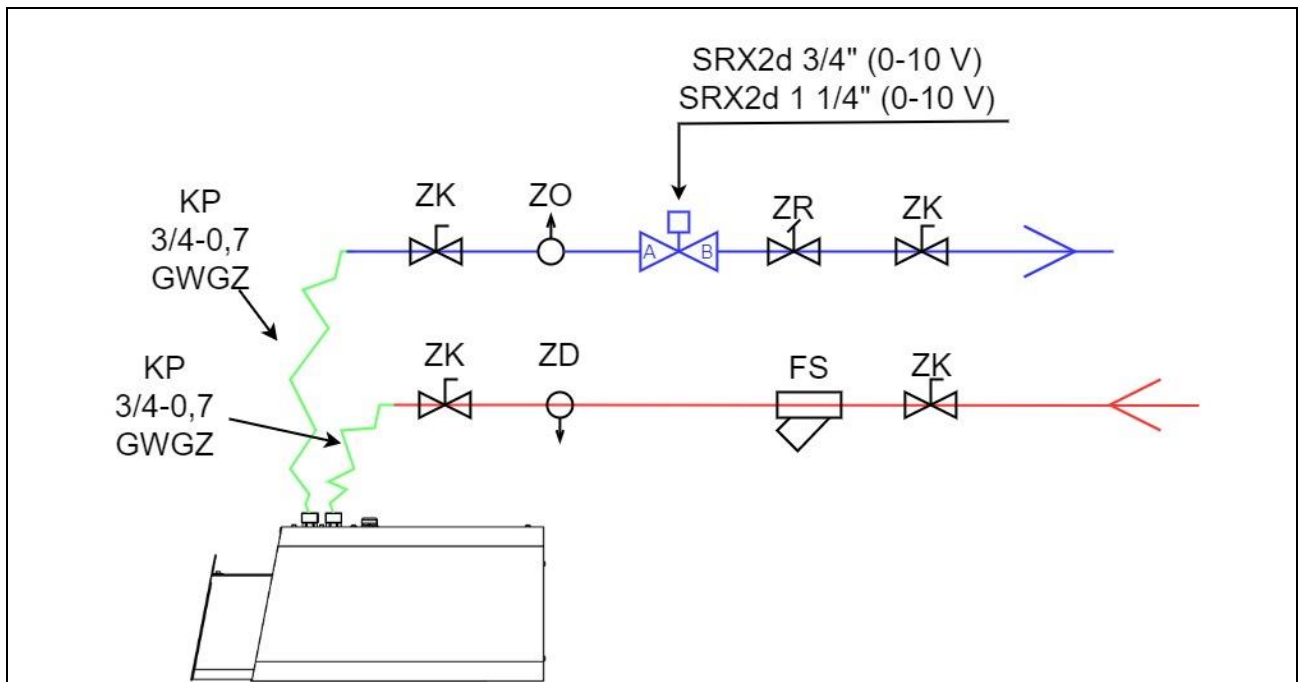
Hand-tighten the knurled nut.



Screw the actuator onto the valve.

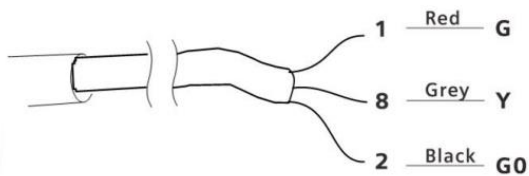


The valve should be mounted on return from the air curtain as indicated on the picture above.

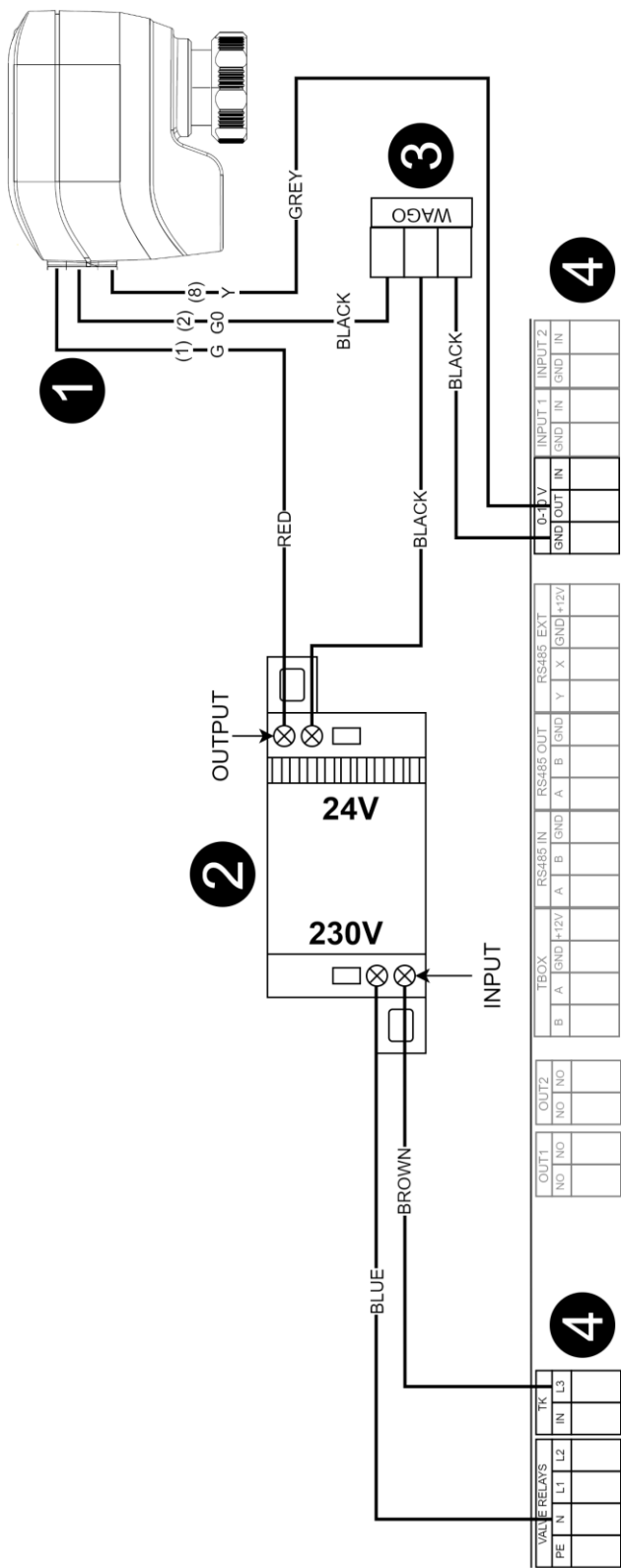


- ZK – shut-off valve
- ZO – vent valve
- ZD – drainage valve
- FS – mesh filter
- ZR – balancing valve
- KP – flexible hoses
- SRX2d (0-10 V) – 2-way valve with 0-10 V actuator

Connect the cables according to the diagram below, taking into account the markings of the actuator cables.



- (1) G = AC/DC 24 V**, system potential
- (8) Y = DC 0...10 V**, < 0,1 mA
- (2) G0 = AC/DC 24 V**, system neutral



- 1 – SRX2d (0-10 V) – 2-way valve with actuator
- 2 – Transformer 230/24 V /
- 3 – Splicing Connector /
- 4 –DRV control module /