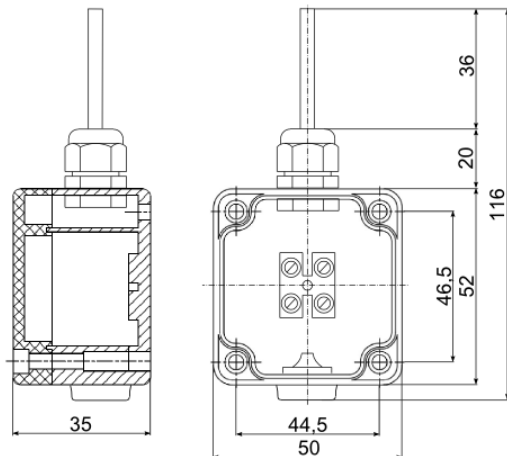


PT1000 IP65 – WALL MOUNTED TEMPERATURE SENSOR

KK PT-1000 09.14 EN

DIMENSIONS



GENERAL INFORMATION

Sensor provides local temperature measurement.

There is a possibility to connect it with other FLOWAIR devices: VNT20, VNTLCD

TECHNICAL DATA

IP	65
Operating temperature range	from -20 to +100 °C
Temperature coefficient	3850 ppm/K
Sensor tolerance class (EN 60751)	B
Sensor conformity with RoHS	yes
Enclosure material	Polycarbonate
Cable gland	membrane, EPDM 4-7

WIRING DIAGRAMS

You can connect one or four PT-1000 temperature sensors to FLOWAIR's VNT20 or VNTLCD fan speed controllers. It is not allowed to use other quantity of sensors, while it is necessary to keep the right resistivity. If there are four PT-1000 sensors connected, the fan speed controller reads only the average temperature from four measurements.

WIRING DIAGRAMS

