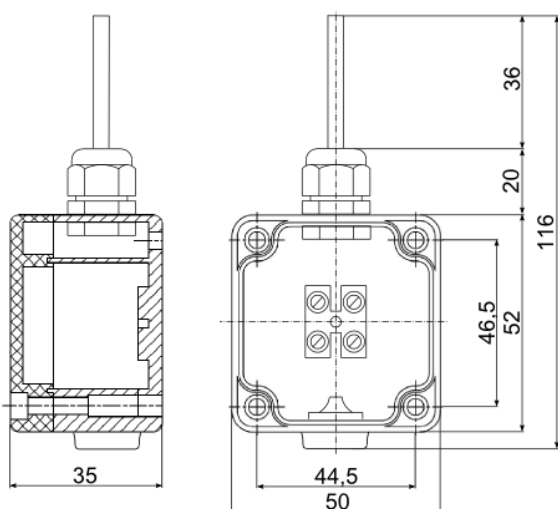


## NTC IP65 – WALL TEMPERATURE SENSOR |

KK NTC IP65 21.06.22 EN/PL

### DIMENSIONS



### GENERAL INFORMATION

It is used for local temperature measurement.

Can be connected to the HMI controller.

### TECHNICAL DATA

IP	65
Operating temperature	od -40 do +125 °C
Resistance at 25°C	10 000 Ω
Resistance tolerance at 25 °C	± 1%

### CONNECTION SCHEMES

NTC connection diagram to the HMI controller

