



Eyecatchers
* From design to art *

jaga

Iguana+
COLLECTION

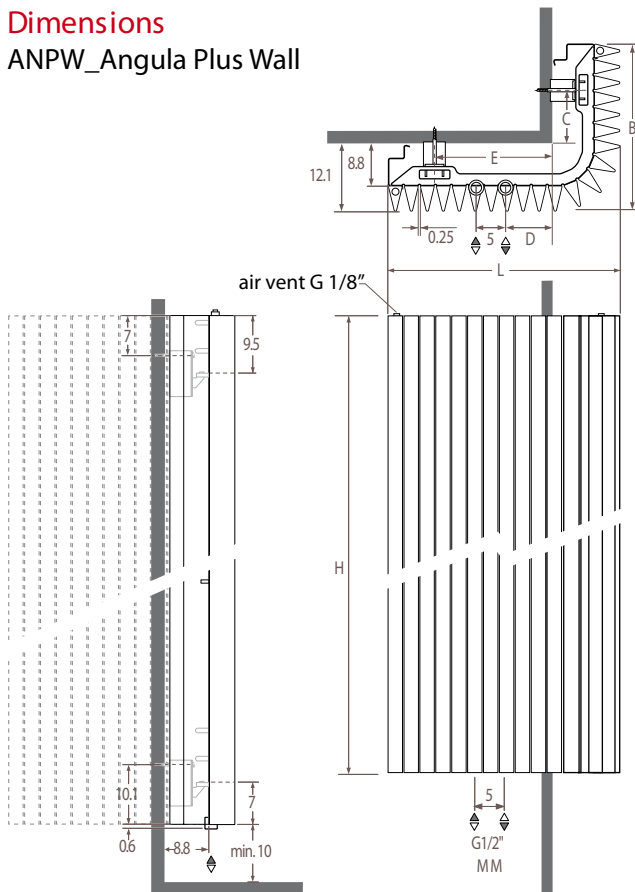
ANGULA PLUS
The sunshine radiator



Iguana+ COLLECTION *Angula Plus*

Dimensions

ANPW_Angula Plus Wall



Dimensions in cm

L	40.0	45.5	51.0
B	29.0	34.5	40.0
C	9.8	15.3	20.8
D	10.3	13.1	15.8
E	20.8	26.3	31.8

Outputs

Standard delivery:

- Angula Plus with central connection MM underneath on the wider side.
- wall fixing
- 2 chrome-plated air vents G 1/8"
- side panel

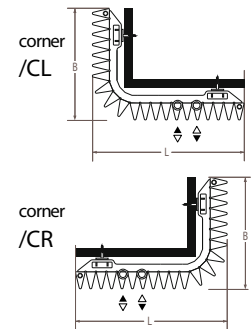
Standard colours:

- sandblast grey metallic 001
- white 301 (RAL 9010 satin)
- white 333 (RAL 9016 satin)

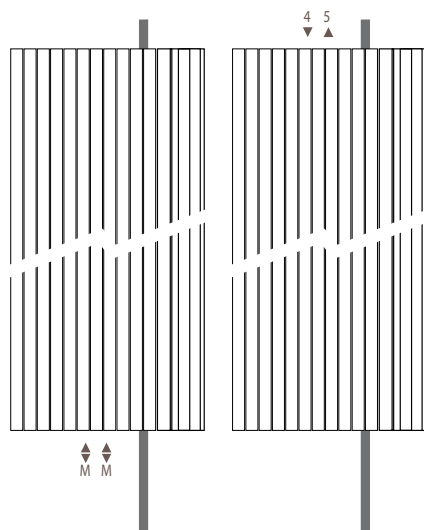
Iguana ANPW

code height length colour conn. corner
ORDERING CODE: ANPW. 180 040. XXX/MM /CL

H		L 040	046	051
180	75/65/20	1745	2078	2410
	55/45/20	873	1040	1206
192	75/65/20	1823	2170	2517
	55/45/20	918	1093	1267
200	75/65/20	1871	2228	2584
	55/45/20	946	1127	1307
220	75/65/20	1978	2355	2732
	55/45/20	1010	1203	1396
240	75/65/20	2066	2460	2854
	55/45/20	1066	1270	1473



Connections



Standard connection
Code MM

Top end connection
Code 45 or 54

(1° number > flow)

When ordering a top end connection, no insert pipe should be ordered. Air vents should be positioned on the central heating pipes.
Ordering code: specify code 45 or 54 instead of MM, no surcharge.



EURO NORM
EN 442

Output measured in accordance with EN442, at a water temperature of 75/65°C and a room temperature of 20°C (ΔT=50).

Notice

To guarantee the output of the Iguana models and to limit the pressure drop, Jaga recommends the use of the following pipe diameters 16/2, 18/1 or 18/2.

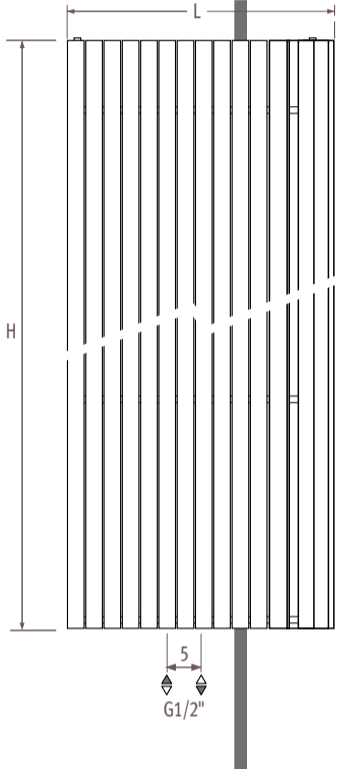
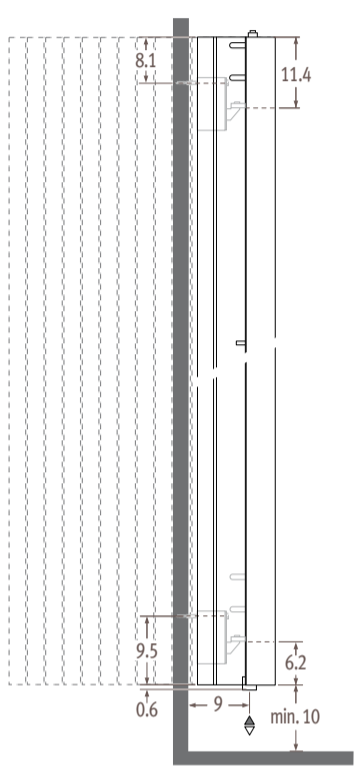
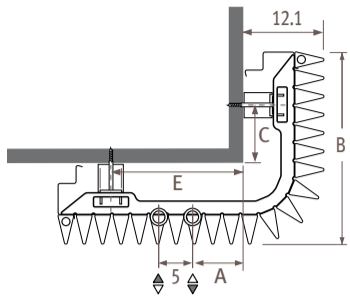


Iguana_Angula Plus

Montagehandleiding - Instructions de montage
Montagehinweis - Mounting instructions

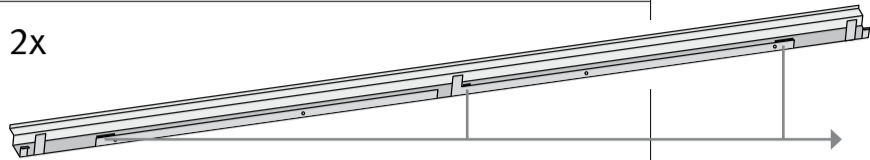


L	40.0	45.5	51.0
B	29.0	34.5	40.0
A	10.3	13.1	15.8
C	9.8	15.3	20.8
E	20.8	26.3	31.8

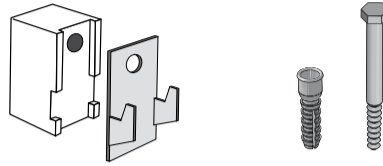


Onderdelen - Parts - Teile

2x

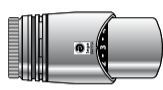


4x

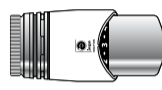


Magneten voor bevestiging zijn voormonteerd
Aimants de montage sont prémontés
Die Magneten zur Befestigung sind vormontiert
Magnets for assembly are pre-mounted

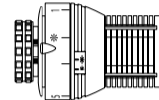
Optie - option



Code 5090.1111



Code 5090.1110



Code 5090.1119



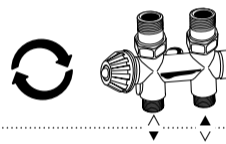
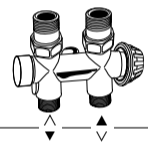
Code 5094.425



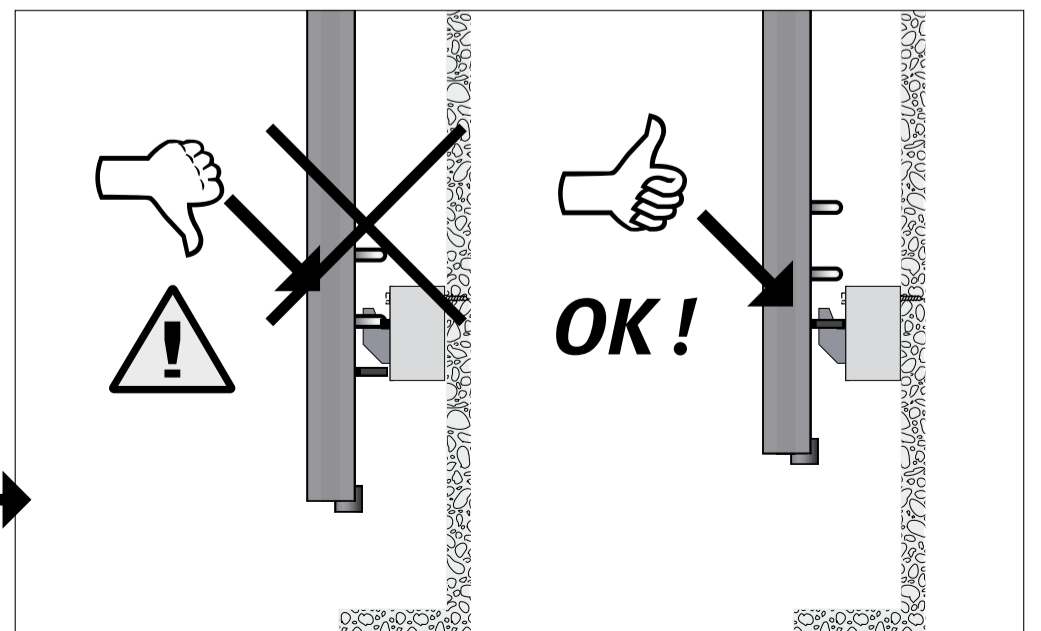
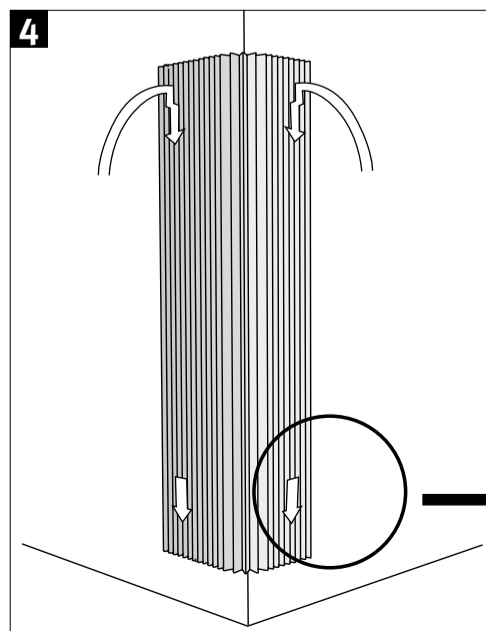
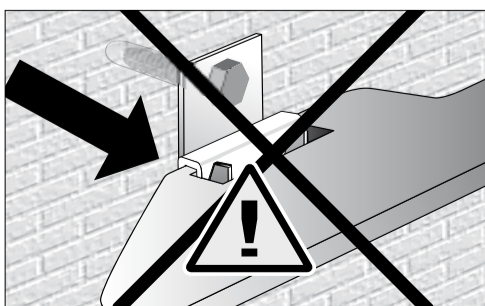
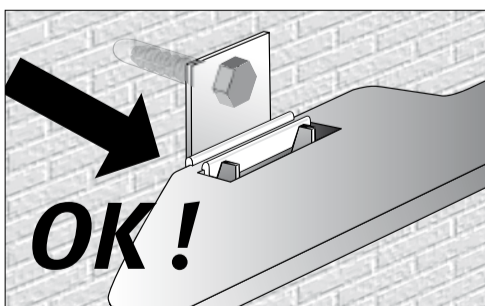
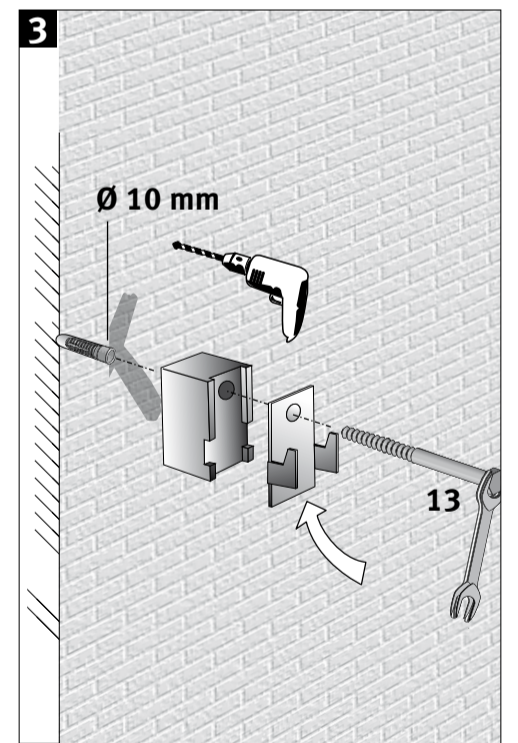
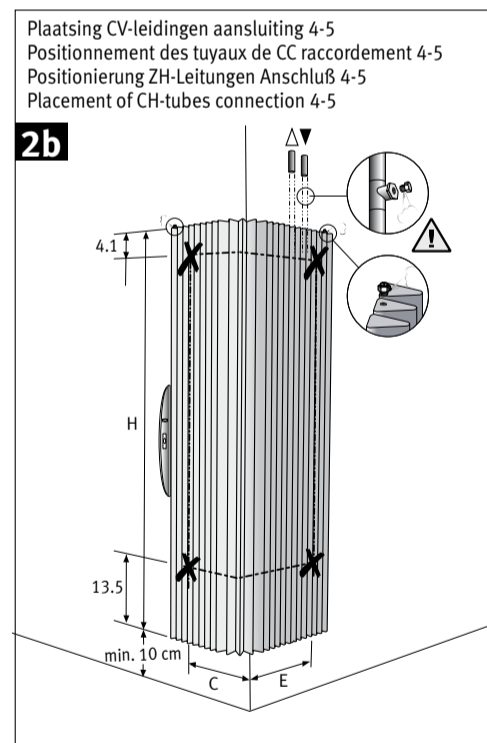
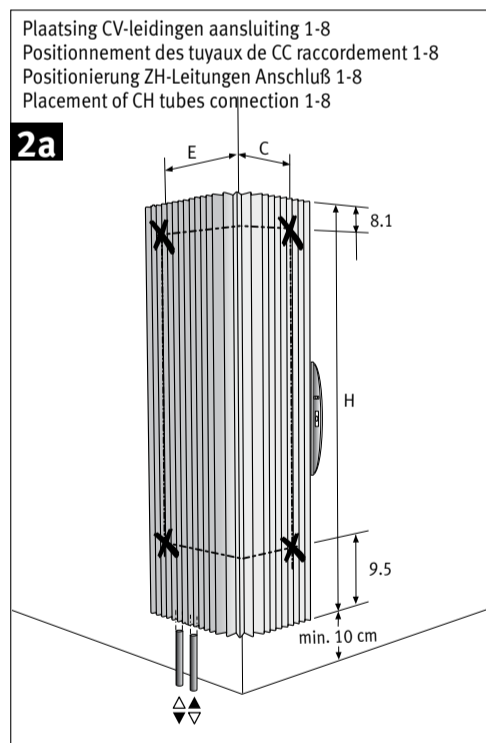
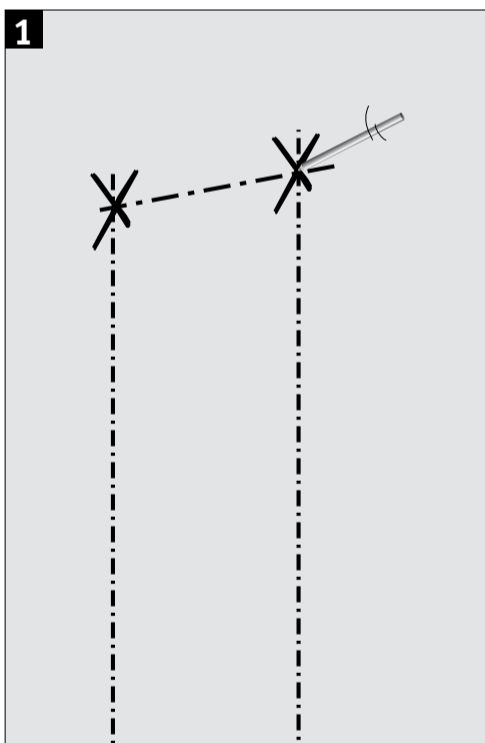
Code 5094.427

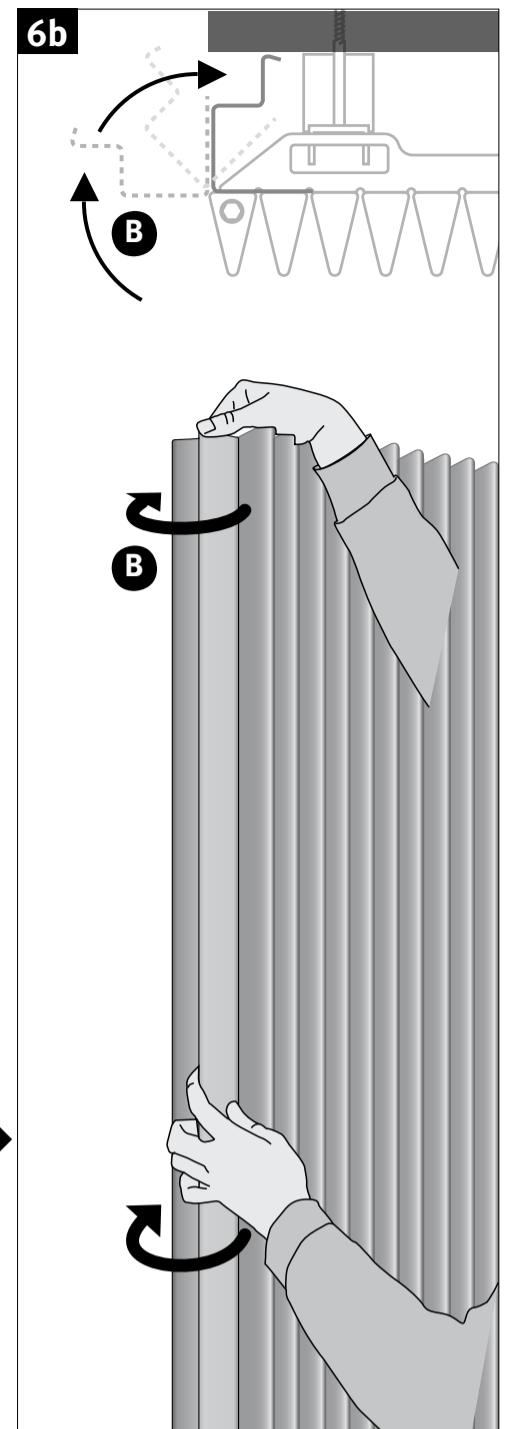
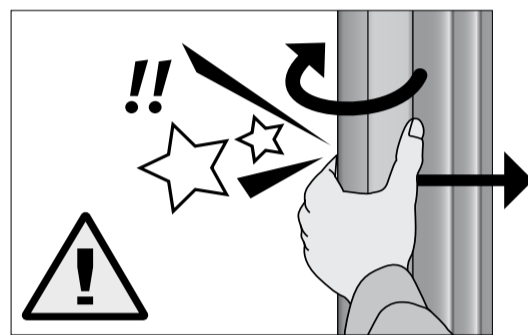
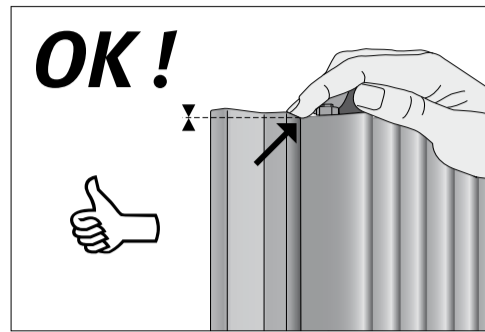
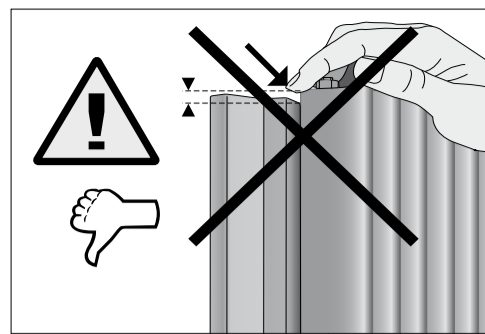
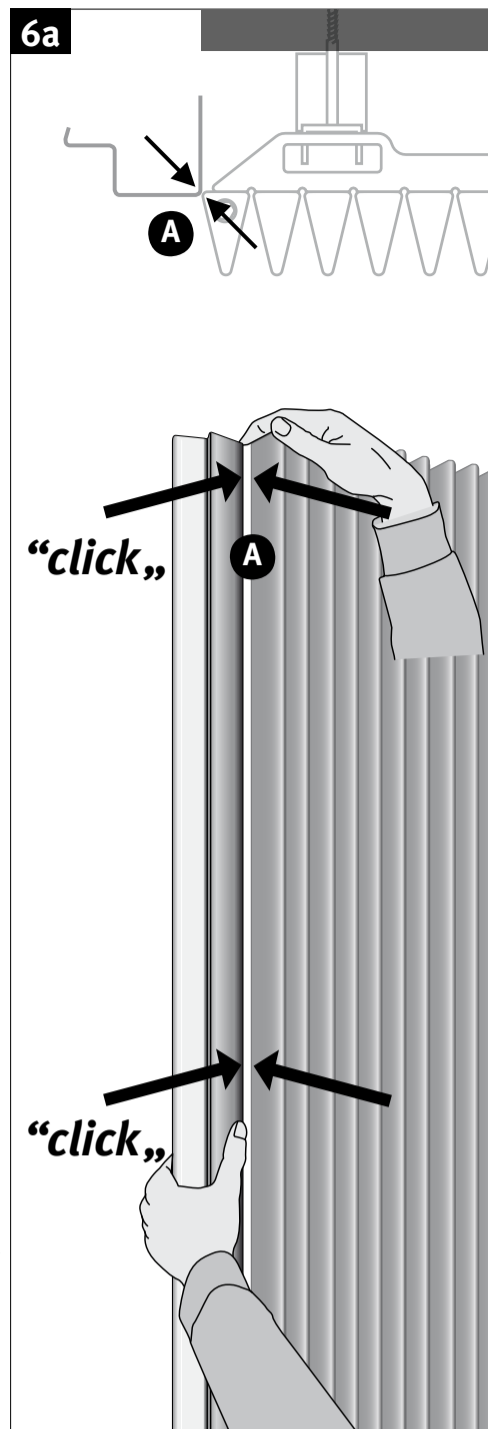
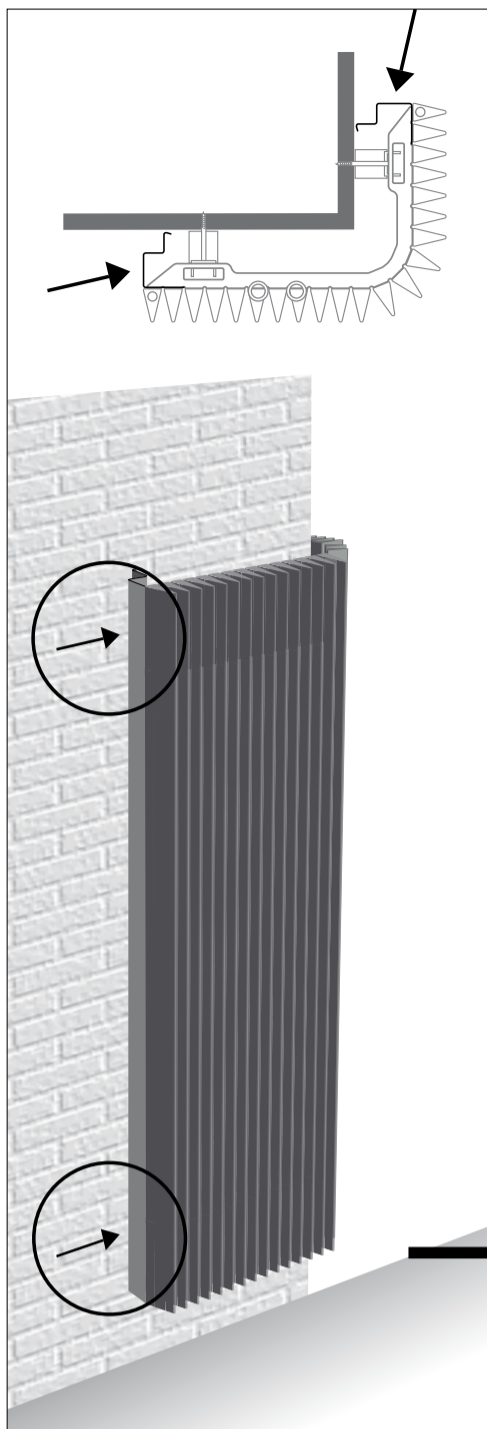
Code 5090.1111

Standaard
Standard



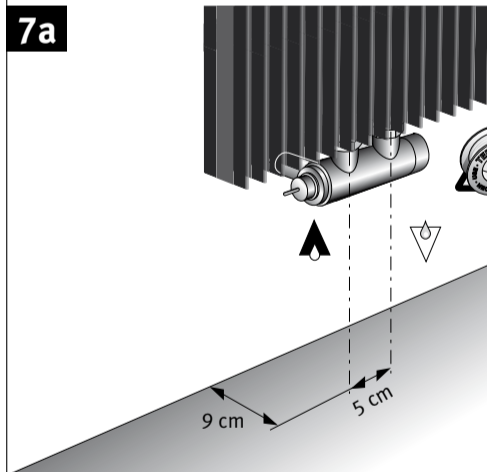
Klemkoppelingen voor ventielen: zie Jaga prijslijst.
Raccords bicônes pour vannes: voir liste des prix Jaga.
Klemmringverschraubungen für Ventile: siehe Jaga Preisliste.
Sleeve couplings for valves: see Jaga price list.



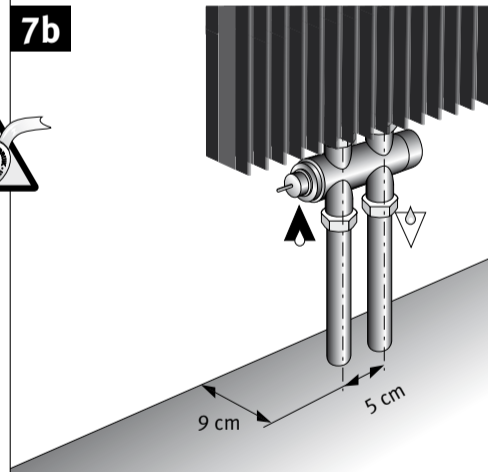


Aansluiting / Raccordement / Anschluß / Connection

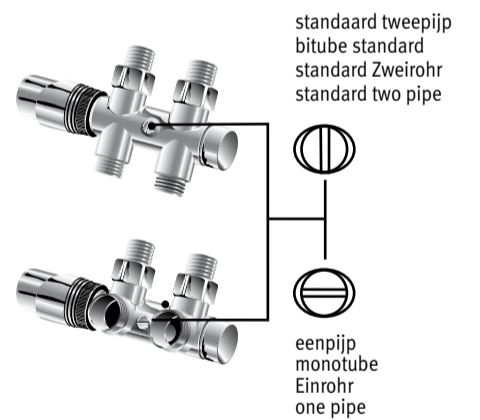
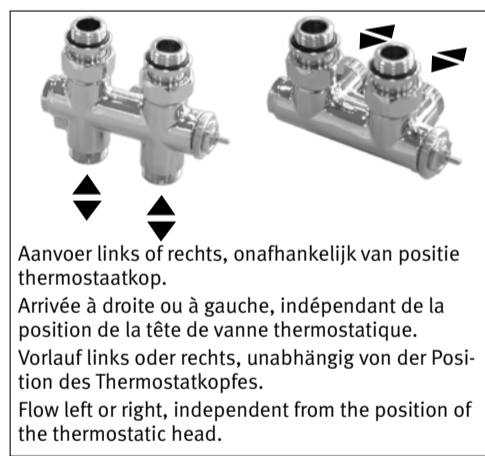
Aansluiting naar de wand - Raccordement vers le mur
Anschluß zur Wand - Connection to the wall



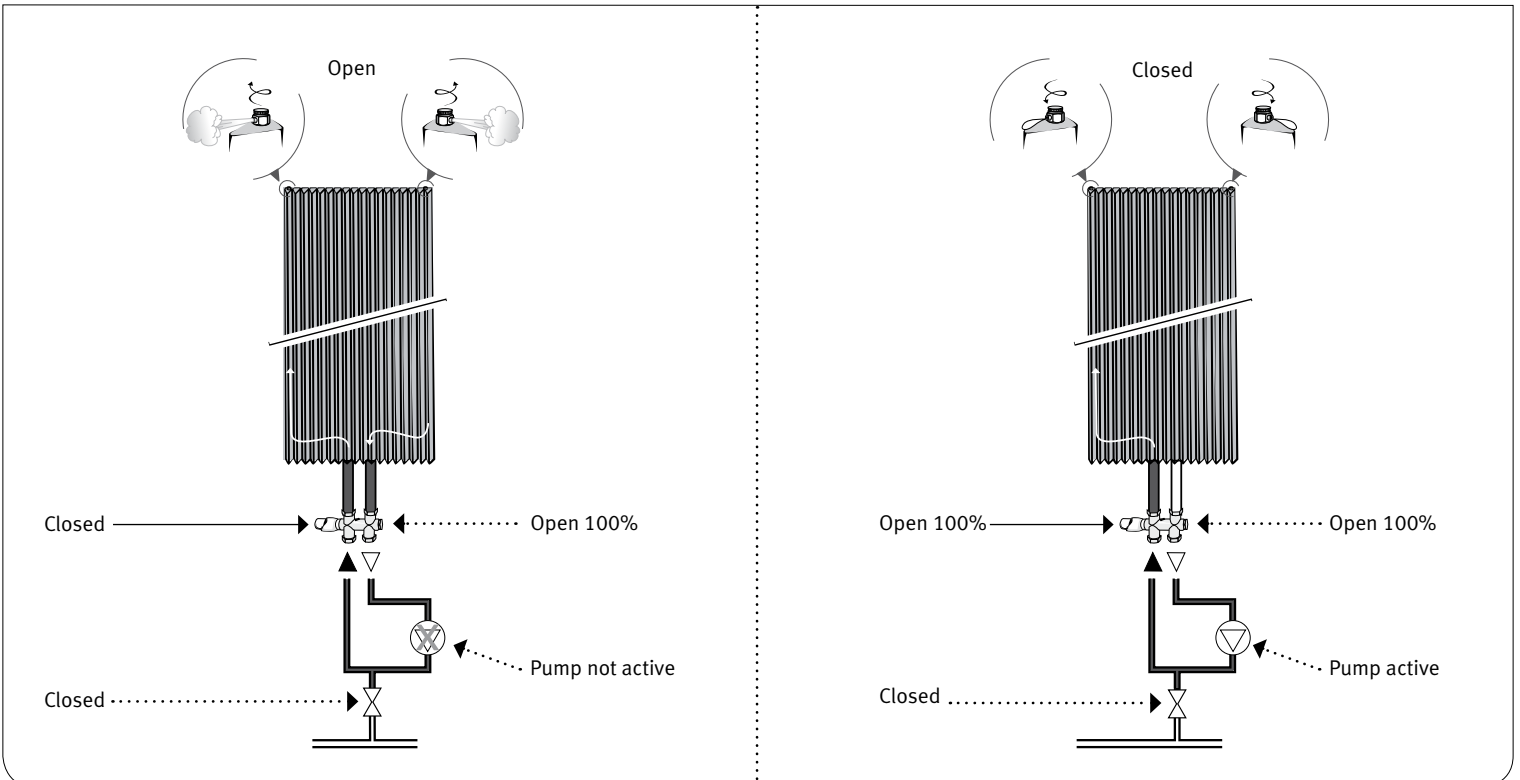
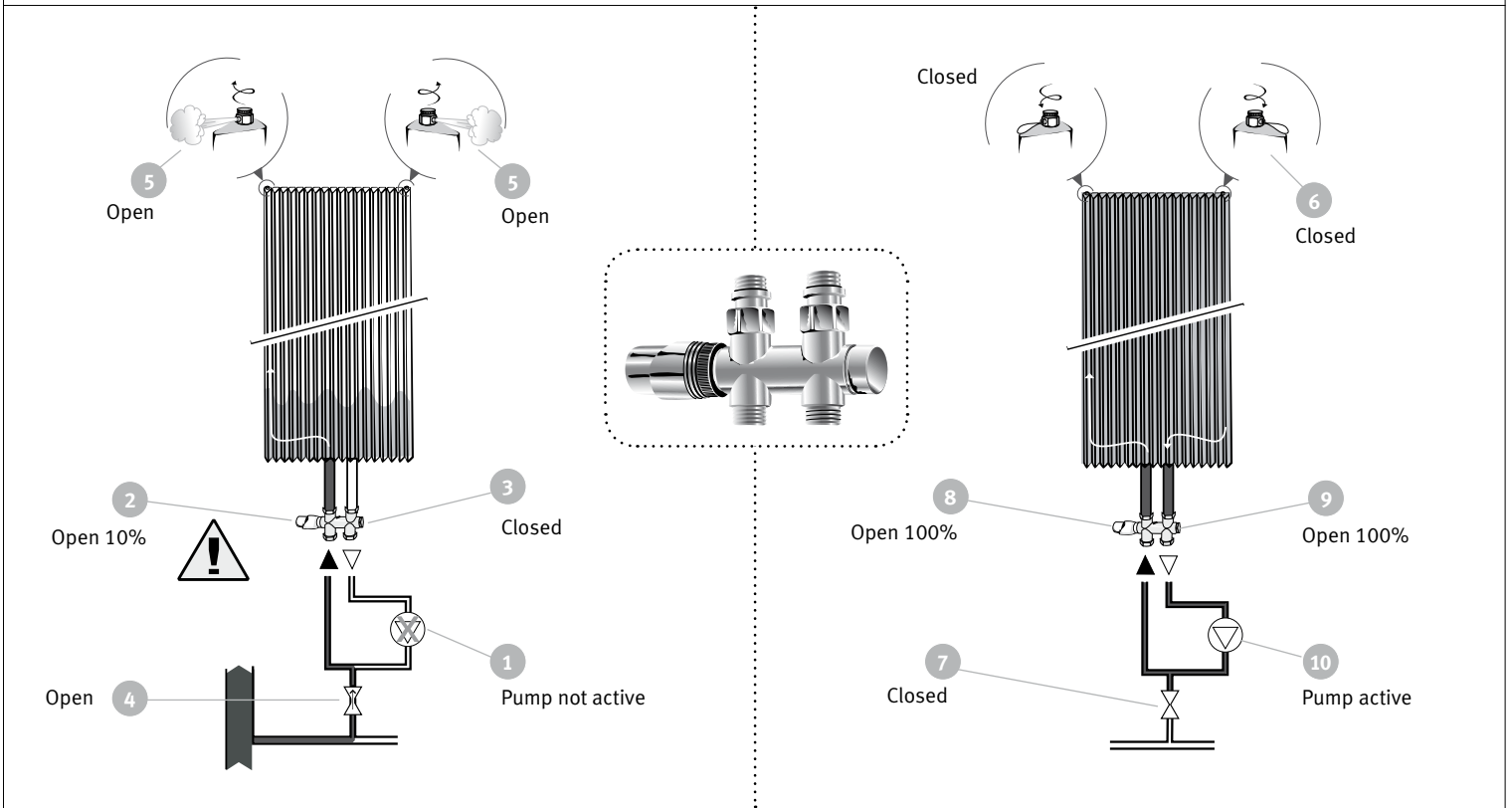
Aansluiting naar de vloer - Raccordement vers le sol
Anschluß zum Boden - Connection to the floor



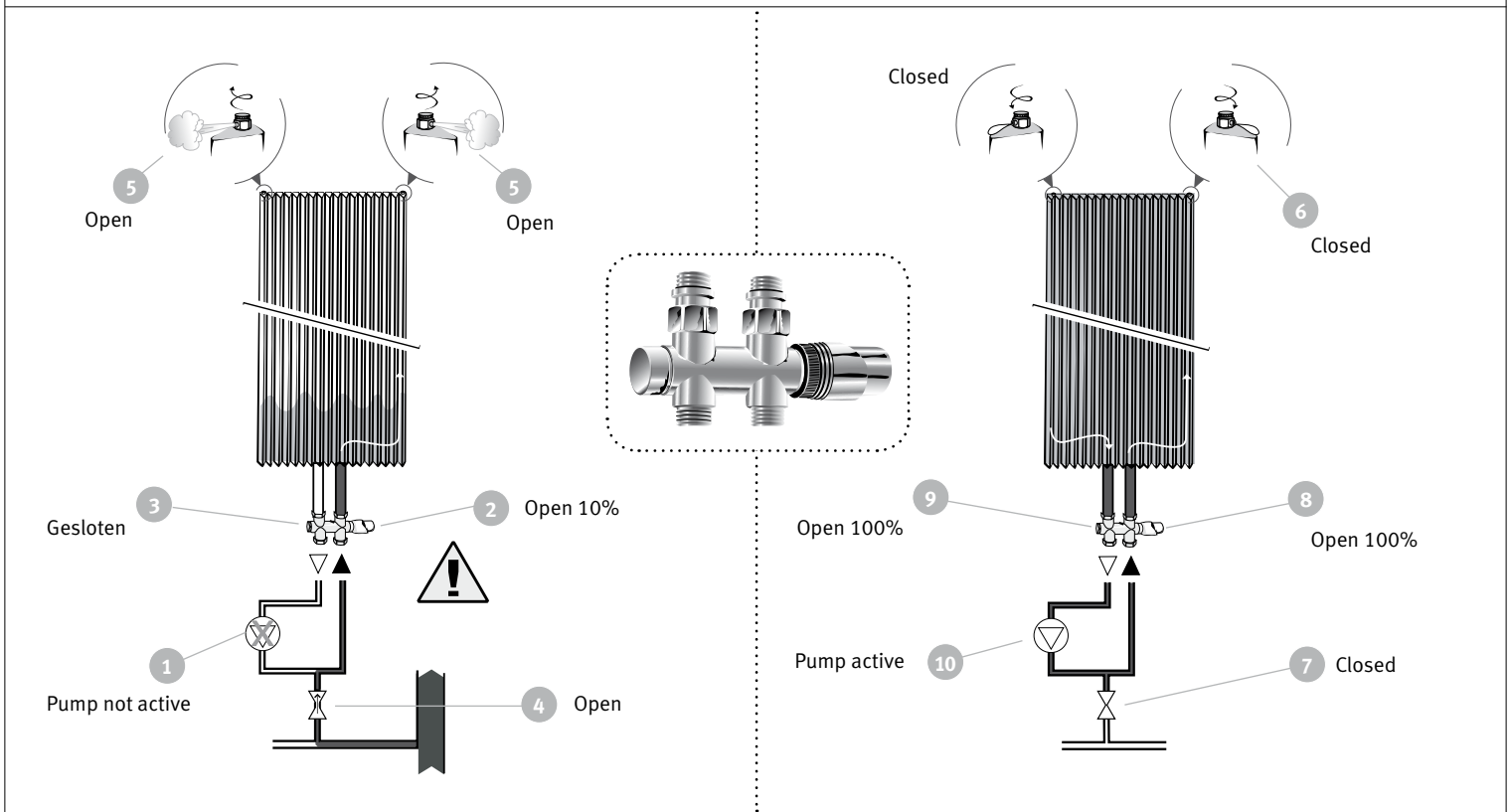
Eenpijp-tweepijpaansluiting / Raccordement monotube-bitube Einrohr-Zweirohranschluß / One pipe-two pipe connection



Position of the thermostatic head left



Position of the thermostatic head right



↓ ↓ ↓ ↓ ± 120 min. ↓ ↓ ↓ ↓

